



# Specifications

---

## Constant Current LED Power Supplies IP65 Series -PGBW, 25W

**PAIRUI ELECTRONICS**

No. 545 Museum Road  
Yangzhou, Jiangsu  
China 225009

Tel: 86 (514) 8279 1592

Fax: 86 (514) 8769 3159

**2020**

# LED Power Supplies for Outdoor Use

## PGBW SERIES, 25WATT, IP65 RATING

### Features

- 3 Years Warranty
- Universal Input Voltage Range: 100~240Vac
- Constant Current Output Mode
- Waterproof Rating IP65
- Built-in Active Power Factor Correction
- Class II Power, no FG
- All Round Protections: Short Circuit, Over Voltage, Over Current



### Applications

- ✓ Garden Light
- ✓ Cabinet Light
- ✓ Landscape Light
- ✓ Other Indoor and Outdoor used Lights
- ✓ Stage Light

### Electrical

Part Number	Output Power	Output Current	Output Voltage	Efficiency	Certificate
PGBW025C0300NSRPD1	25W	300mA	50-76V	86%	CE
PGBW025C0400NSRPD1	25W	400mA	40-55V	86%	CE
PGBW025C0450NSRPD1	25W	450mA	40-55V	85%	CE
PGBW025C0500NSRPD1	25W	500mA	27-42V	85%	CE
PGBW025C0550NSRPD1	25W	550mA	27-42V	85%	CE
PGBW025C0600NSRPD1	25W	600mA	27-42V	85%	CE

NOTE: Other output models are may available on request.

**INPUT**

PARAMETER	CONDITIONS	MIN	TYP	MAX	UNITS
Input frequency		47		63	Hz
Input current	Full load, Vin=230Vac		0.15		A
Inrush current	Cold start, Vin=230Vac			50	A
Power factor(PF)	Full load, Vin=230Vac	0.9			
Surge voltage	L-N		2		KV

**OUTPUT**

PARAMETER	CONDITIONS	MIN	TYP	MAX	UNITS
Output current accuracy			±5		%
Line regulation	Vin from 100Vac to 240Vac		±5		%
Load regulation	Vout from min. to max.		±5		%
Output current overshoot	Turning on		10		%
Turn-on delay time	Cold start, power on		1000		ms
Ripple	Please refer to below measuring method		10%Io		mAp-p
THD	Full load, Vin=230Vac			20	%

NOTE: The values are measured at 20MHz of bandwidth by using a 12" twisted pair-wire terminated with 0.1uF & 47uF parallel capacitor under ambient temperature 25°C at rated input voltage and rated load.

### Protection

Short circuit	In hiccup mode, it will recover automatically after fault condition is removed
Over voltage	110-150% Vout, it will recover automatically after fault condition is removed
Over current	In hiccup mode, it will recover automatically after fault condition is removed

### Environment

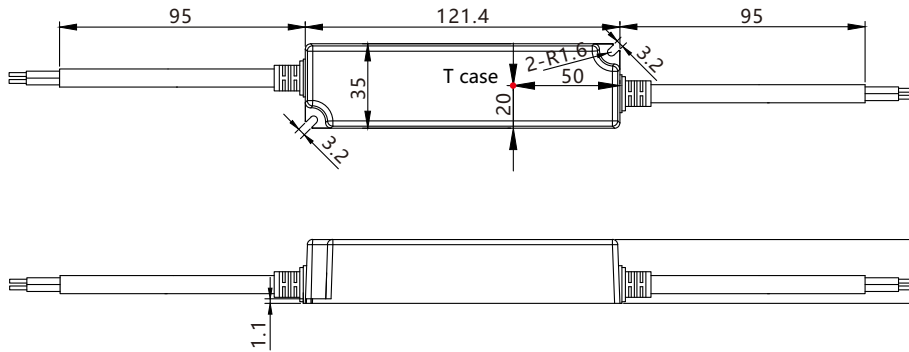
PARAMETER	CONDITIONS	MIN	TYP	MAX	UNITS
Ambient operating temperature	Startup at rated voltage (Derating required)	-25		+50	°C
Operating relative humidity	Non condensing	20		90	%
Storage temperature	Humidity 10 ~ 95% RH	-40		+80	°C
Maximum case temperature	Hot-spot on case			+75	°C
Lifetime	Full load, 220Vac input, 25°C ambient temperature	30			Khrs
Waterproof rating	IP65				
Dimension(LxWxH)	121.4 x 35.0 x 26.4mm				
Weight	300g				

### Safety/EMC

Safety	Design refer to UL8750, EN61347, EN61347-2-13
EMC	Compliance to EN55015, FCC Part 15 Class B, EN61000-3-2, EN61000-3-3, EN61000-4-2, 3, 4, 6, 8, 11, EN61547

NOTE: Unless otherwise specified, all the above parameters are measured at ambient temperature of 25°C and Vin=100Vac to 240Vac.

## Mechanical



Unit: mm

## Electrical Curve

