



2019-V1.1-0311

# Specifications

---

**LED Power Supplies for Outdoor Use**

**LGF-400V Series, 400W**

**PAIRUI ELECTRONICS**

No. 545 Museum Road  
Yangzhou, Jiangsu  
China 225009

Tel: 86 (514) 8279 1592

Fax: 86 (514) 8769 3159

**2019**

# LED Power Supplies for Outdoor Use

## LGF-400V SERIES, 400WATT, IP67 RATING

### Features

- 5 Year Warranty
- Universal Input Voltage Range: 90~305Vac
- Constant Voltage Output Mode
- High PF up to 0.95
- Rating IP67, Suitable for Outdoor Applications
- All Round Protections: Short Circuit, Over Voltage, Over Current, Over Temperature



### Applications

- ✓ Sarchitectural Light
- ✓ Led Strip
- ✓ Led Display
- ✓ Other Light Fixtures for Outdoor Use

### Electrical

Part Number	Output Power	Input Voltage	Output Current	Output Voltage	PF	Efficiency	Certificate
LGFU400-V24	400W	90-305V	0-16.7A	24V	0.95	93%	CE
LGFU400-V48	400W	90-305V	0-8.3A	48V	0.95	93%	CE

## INPUT

PARAMETER	CONDITIONS	MIN	TYP	MAX	UNITS
Input voltage		90		305	Vac
Input frequency		47		63	Hz
Input current	Full load, Vin=230Vac		2.3		A
Inrush current	Cold start, Vin=230Vac			35	A
Power factor(PF)	Full load, Vin=110Vac Full load, Vin=220Vac		0.98 0.92		
Leakage current	Vin=230Vac, 50Hz		0.75		mA
Surge voltage	L-N L, N-FG		4 6		KV KV

## OUTPUT

PARAMETER	CONDITIONS	MIN	TYP	MAX	UNITS
Output current accuracy			±5		%
Line regulation	Vin from 100Vac to 277Vac			±1	%
Load regulation	Vout from min. to max.			±2	%
Output current overshoot	Turning on			10	%
Turn-on delay time	Cold start, power on			1	S
Ripple	Refer to below note		±5		mAp-p
THD	Output load≥80%		10		%

NOTE: The values are measured at 20MHz of bandwidth by using a 12'' twisted pair-wire terminated with 0.1uF & 47uF parallel capacitor under ambient temperature 25°C at rated input voltage and rated load.

## Protection

Short circuit	In hiccup mode, it will recover automatically after fault condition is removed
Over voltage	110-150% Vout In hiccup mode, it will recover automatically after fault condition is removed
Over current	In hiccup mode, it will recover automatically after fault condition is removed
Over temperature	In hiccup mode, it will recover automatically after fault condition is removed

## Environment

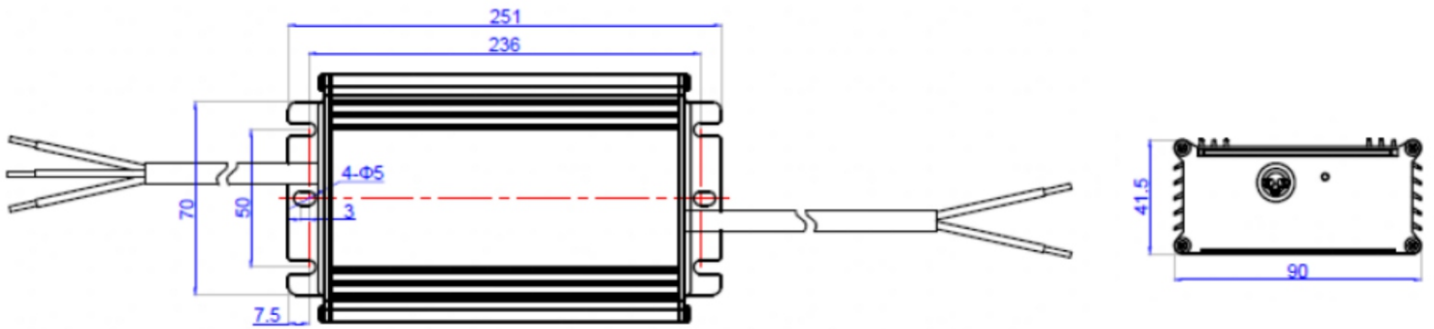
PARAMETER	CONDITIONS	MIN	TYP	MAX	UNITS
Ambient operating temperature	Startup at rated voltage	-40		+70	°C
Operating relative humidity	Non condensing	10		95	%
Storage temperature	Humidity 5 ~ 100% RH	-40		+85	°C
Maximum case temperature	Hot-spot on case			+90	°C
Lifetime	Full load, 220Vac input, 25°C ambient temperature	30			Khrs
Waterproof rating	IP67				
Dimension(LxWxH)	251.0 x 90 x 41.5mm				
Weight	1590g				

## Safety/EMC

Safety	Design refer to UL8750, UL935, UL1012, UL1310 Class 2, EN61347, EN61347-2-13
EMC	Compliance to EN55015, FCC Part 15 Class B, EN61000-3-2, EN61000-3-3, EN61000-4-2, 3, 4, 6, 8, 11, EN61547

NOTE: Unless otherwise specified, all the above parameters are measured at ambient temperature of 25°C and Vin=100Vac to 277Vac.

## Mechanical



## Electrical Curve

