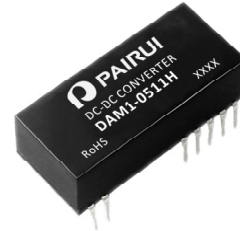


**DAM-1H SERIES, 1WATT, 6KVDC, ISOLATED, UNREGULATED**

**FEATURES:**

- ✓ 6000Vdc isolation voltage
- ✓ Single and dual output models
- ✓ High efficiency, and low ripple & noise
- ✓ Operating temperature range -40°C to +85°C
- ✓ 3 year warranty



| Model      | Input voltage (Vdc) | Output voltage (Vdc) | Output current (mA) |      | Efficiency Typ. |
|------------|---------------------|----------------------|---------------------|------|-----------------|
|            |                     |                      | Min.                | Max. |                 |
| DAM1-0511H | 5(4.5~5.5)          | 5                    | 20                  | 200  | 68%             |
| DAM1-0512H |                     | 9                    | 11.1                | 111  | 74%             |
| DAM1-0513H |                     | 12                   | 8.3                 | 83   | 68%             |
| DAM1-0514H |                     | 15                   | 6.7                 | 67   | 68%             |
| DAM1-0521H |                     | ±5                   | 10                  | 100  | 70%             |
| DAM1-0522H |                     | ±9                   | 5.6                 | 56   | 71%             |
| DAM1-0523H |                     | ±12                  | 4.2                 | 42   | 68%             |
| DAM1-0524H |                     | ±15                  | 3.3                 | 33   | 72%             |
| DAM1-1211H | 12(10.8~13.2)       | 5                    | 20                  | 200  | 70%             |
| DAM1-1212H |                     | 9                    | 11.1                | 111  | 71%             |
| DAM1-1213H |                     | 12                   | 8.3                 | 83   | 74%             |
| DAM1-1214H |                     | 15                   | 6.7                 | 67   | 74%             |
| DAM1-1221H |                     | ±5                   | 10                  | 100  | 70%             |
| DAM1-1222H |                     | ±9                   | 5.6                 | 56   | 70%             |
| DAM1-1223H |                     | ±12                  | 4.2                 | 42   | 70%             |
| DAM1-1224H |                     | ±15                  | 3.3                 | 33   | 69%             |
| DAM1-1511H | 15(13.5~16.5)       | 5                    | 20                  | 200  | 70%             |
| DAM1-1512H |                     | 9                    | 11.1                | 111  | 72%             |
| DAM1-1513H |                     | 12                   | 8.3                 | 83   | 72%             |
| DAM1-1514H |                     | 15                   | 6.7                 | 67   | 68%             |
| DAM1-1521H |                     | ±5                   | 10                  | 100  | 70%             |
| DAM1-1522H |                     | ±9                   | 5.6                 | 56   | 72%             |
| DAM1-1523H |                     | ±12                  | 4.2                 | 42   | 72%             |
| DAM1-1524H |                     | ±15                  | 3.3                 | 33   | 70%             |

**DAM-1H SERIES, 1WATT, 6KVDC, ISOLATED, UNREGULATED**

| Model      | Input voltage<br>(Vdc) | Output voltage<br>(Vdc) | Output current<br>(mA) |      | Efficiency<br>Typ. |
|------------|------------------------|-------------------------|------------------------|------|--------------------|
|            |                        |                         | Min.                   | Max. |                    |
| DAM1-2411H | 24(21.6~26.4)          | 5                       | 20                     | 200  | 64%                |
| DAM1-2412H |                        | 9                       | 11.1                   | 111  | 68%                |
| DAM1-2413H |                        | 12                      | 8.3                    | 83   | 73%                |
| DAM1-2414H |                        | 15                      | 6.7                    | 67   | 73%                |
| DAM1-2421H |                        | ±5                      | 10                     | 100  | 71%                |
| DAM1-2422H |                        | ±9                      | 5.6                    | 56   | 71%                |
| DAM1-2423H |                        | ±12                     | 4.2                    | 42   | 72%                |
| DAM1-2424H |                        | ±15                     | 3.3                    | 33   | 70%                |

**Notes: Other input and output models may available on request.**

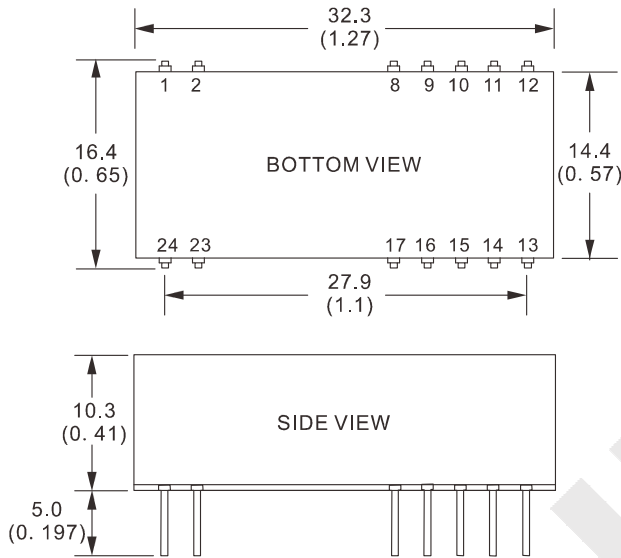
**ELECTRICAL**

|                             |                             |                            |
|-----------------------------|-----------------------------|----------------------------|
| Line regulation             | ---                         | 1.5% max.                  |
| Load regulation             | 10% ~ 100% full load        | 15% max.                   |
| Isolation voltage           | Leakage current < 1mA/1min. | 6000Vdc min.               |
| Isolation resistance        | Test at 500VDC              | 1000mΩ min.                |
| Switching frequency         | ---                         | 100KHz typ.                |
| Ripple & noise              | Bend width 20MHz            | 150mVp-p max.              |
| Temperature coefficient     | Rated load                  | ±0.03%/°C                  |
| Operating temperature range | ---                         | -40°C to +85°C             |
| Storage temperature range   | ---                         | -55°C to +125°C            |
| Short circuit protection    | ---                         | Continuours, auto recovery |
| MTBF                        | ---                         | 3500KHrs                   |
| Weight                      | ---                         | 8.2g                       |

**Notes: All the parameters are measured at 25°C ambient temperature, humidity < 75%, nominal input voltage, full load and after warm-up, unless otherwise specified.**

DAM-1H SERIES, 1WATT, 6KVDC, ISOLATED, UNREGULATED

MECHANICAL



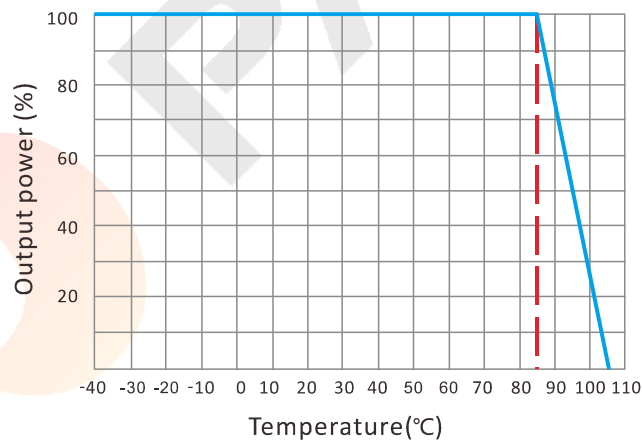
CONNECTION

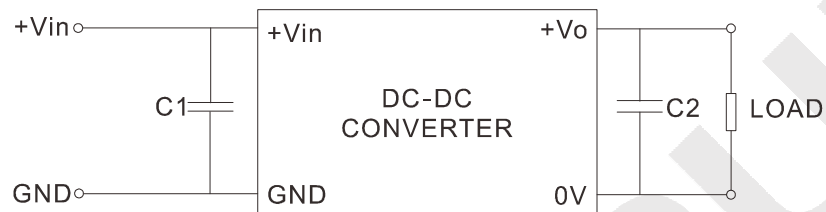
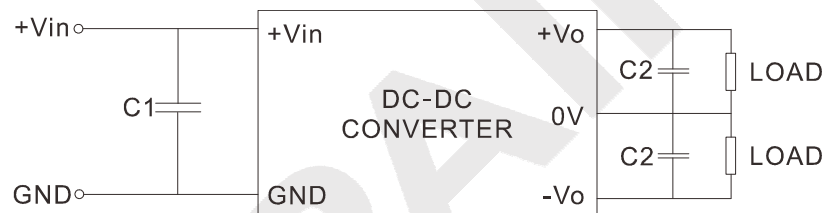
| PIN #  | SINGLE | DUAL |
|--------|--------|------|
| 1      | +Vin   | +Vin |
| 2      | GND    | GND  |
| 8, 17  | NC     | -Vo  |
| 10, 15 | 0V     | 0V   |
| 12, 13 | +Vo    | +Vo  |
| 9, 11  | NC     | NC   |
| 14, 16 | NC     | NC   |
| 23, 24 | NC     | NC   |

Note:

\* Unit is mm(inch).

ELECTRICAL CURVE



**DAM-1H SERIES, 1WATT, 6KVDC, ISOLATED, UNREGULATED**
**NOTE**
**RECOMMENDED TEST AND APPLICATION CIRCUIT**
**SINGLE OUTPUT**

**DUAL OUTPUT**

**CAPACITOR SELECTION**

| INPUT VOLTAGE | C1           | SINGLE OUTPUT | C2          | DUAL OUTPUT | C2          |
|---------------|--------------|---------------|-------------|-------------|-------------|
| 5VDC          | 4.7 $\mu$ F  | 5VDC          | 10 $\mu$ F  | $\pm$ 5VDC  | 4.7 $\mu$ F |
| 12VDC         | 2.2 $\mu$ F  | 9VDC          | 4.7 $\mu$ F | $\pm$ 9VDC  | 2.2 $\mu$ F |
| 15VDC         | 1.0 $\mu$ F  | 12VDC         | 2.2 $\mu$ F | $\pm$ 12VDC | 1.0 $\mu$ F |
| 24VDC(Single) | 1.0 $\mu$ F  | 15VDC         | 1.0 $\mu$ F | $\pm$ 15VDC | 1.0 $\mu$ F |
| 24VDC(Dual)   | 0.47 $\mu$ F | 24VDC         | 1.0 $\mu$ F | --          | --          |