

DAM-1F SERIES, 1WATT, 3KVDC, ISOLATED, UNREGULATED

FEATURES:

- ✓ 3000Vdc isolation voltage
- ✓ Single and dual output models
- ✓ High efficiency, and low ripple & noise
- ✓ Operating temperature range -40°C to +85°C
- ✓ 3 year warranty



Model	Input voltage (Vdc)	Output voltage (Vdc)	Output current (mA)		Efficiency Typ.	
			Min.	Max.		
DAM1-0310F	3.3(3.0~3.6)	3.3	30	300	72%	
DAM1-0311F		5	20	200	74%	
DAM1-0312F		9	11.1	111	72%	
DAM1-0313F		12	8.3	83	72%	
DAM1-0314F		15	6.7	67	72%	
DAM1-0510F	5(4.5~5.5)	3.3	30	300	73%	
DAM1-0511F		5	20	200	72%	
DAM1-0512F		9	11.1	111	76%	
DAM1-0513F		12	8.3	83	79%	
DAM1-0514F		15	6.7	67	78%	
DAM1-0515F		24	4.1	42	79%	
DAM1-0521F		±5	10	100	79%	
DAM1-0522F		±9	5.6	56	81%	
DAM1-0523F		±12	4.2	42	78%	
DAM1-0524F		±15	3.3	33	80%	
DAM1-0525F		±24	2.1	21	79%	
DAM1-1210F		12(10.8~13.2)	3.3	30	300	73%
DAM1-1211F			5	20	200	71%
DAM1-1212F	9		11.1	111	76%	
DAM1-1213F	12		8.3	83	78%	
DAM1-1214F	15		6.7	67	79%	
DAM1-1215F	24		4.2	42	78%	
DAM1-1221F	±5		10	100	78%	
DAM1-1222F	±9		5.6	56	81%	
DAM1-1223F	±12		4.2	42	79%	
DAM1-1224F	±15		3.3	33	80%	
DAM1-1225F	±24		2.1	21	80%	

DAM-1F SERIES, 1WATT, 3KVDC, ISOLATED, UNREGULATED

Model	Input voltage (Vdc)	Output voltage (Vdc)	Output current (mA)		Efficiency Typ.	
			Min.	Max.		
DAM1-1510F	15(13.5~16.5)	3.3	30	300	72%	
DAM1-1511F		5	20	200	69%	
DAM1-1512F		9	11.1	111	78%	
DAM1-1513F		12	8.3	83	78%	
DAM1-1514F		15	6.7	67	78%	
DAM1-1515F		24	4.2	42	80%	
DAM1-1521F		±5	10	100	70%	
DAM1-1522F		±9	5.6	56	82%	
DAM1-1523F		±12	4.2	42	80%	
DAM1-1524F		±15	3.3	33	75%	
DAM1-1525F		±24	2.1	21	75%	
DAM1-2410F		24(21.6~26.4)	3.3	30	300	72%
DAM1-2411F			5	20	200	73%
DAM1-2412F			9	11.1	111	78%
DAM1-2413F			12	8.3	83	78%
DAM1-2414F	15		6.7	67	79%	
DAM1-2415F	24		4.2	42	81%	
DAM1-2421F	±5		10	100	70%	
DAM1-2422F	±9		5.6	56	82%	
DAM1-2423F	±12		4.2	42	80%	
DAM1-2424F	±15		3.3	33	76%	
DAM1-2425F	±24	2.1	21	75%		

Notes: Other input and output models may available on request.

ELECTRICAL

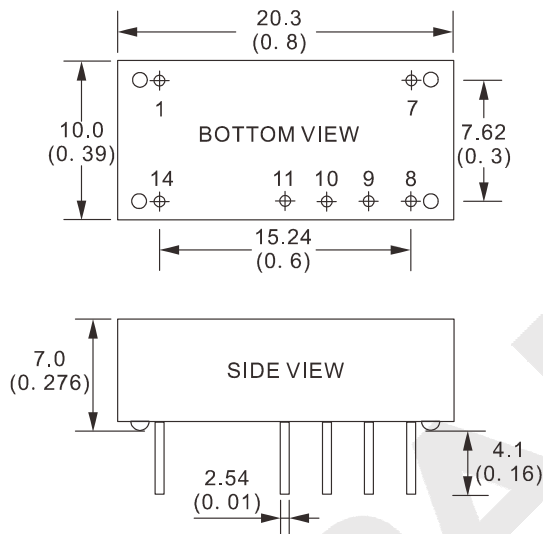
Line regulation	---	1.2% max.
Load regulation	10% ~ 100% full load	15% max.
Isolation voltage	Leakage current < 1mA/1min.	3000Vdc min.
Isolation resistance	Test at 500VDC	1000mΩ min.
Switching frequency	---	100KHz typ.
Ripple & noise	Bend width 20MHz	150mVp-p max.
Temperature coefficient	Rated load	±0.03%/°C
Operating temperature range	---	-40°C to +85°C
Storage temperature range	---	-55°C to +125°C
Short circuit protection	---	1S
MTBF	---	3500KHrs
Weight	---	2.5g

DAM-1F SERIES, 1WATT, 3KVDC, ISOLATED, UNREGULATED

ELECTRICAL

Notes: All the parameters are measured at 25°C ambient temperature, humidity < 75%, nominal input voltage, full load and after warm-up, unless otherwise specified.

MECHANICAL



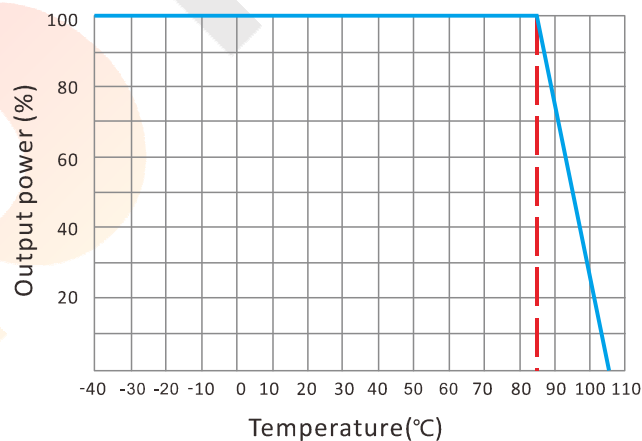
CONNECTION

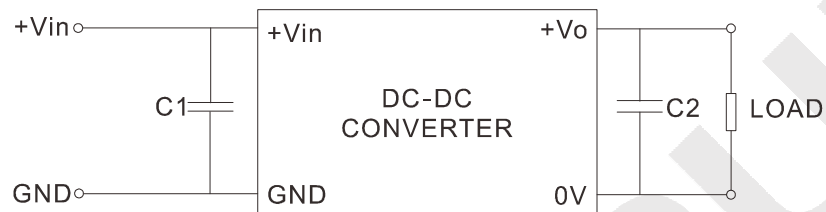
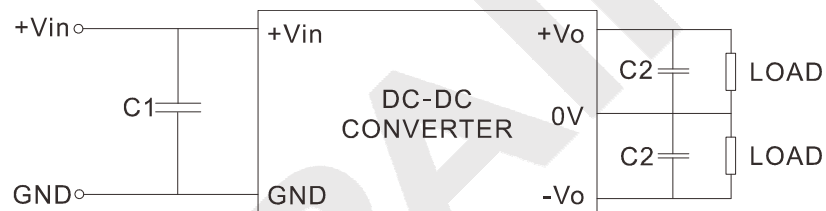
PIN #	SINGLE	DUAL
1	GND	GND
7	NC	NC
8	+Vo	+Vo
9	No Pin	0V
10	0V	-Vo
11	No Pin	No Pin
14	+Vin	+Vin

Note:

* Unit is mm(inch).

ELECTRICAL CURVE



DAM-1F SERIES, 1WATT, 3KVDC, ISOLATED, UNREGULATED
NOTE
RECOMMENDED TEST AND APPLICATION CIRCUIT
SINGLE OUTPUT

DUAL OUTPUT

CAPACITOR SELECTION

INPUT VOLTAGE	C1	SINGLE OUTPUT	C2	DUAL OUTPUT	C2
3.3VDC	4.7 μ F	3.3VDC	10 μ F	\pm 5VDC	10 μ F
5VDC	4.7 μ F	5VDC	10 μ F	\pm 9VDC	10 μ F
12VDC	2.2 μ F	9VDC	4.7 μ F	\pm 12VDC	2.2 μ F
24VDC	1.0 μ F	12VDC	2.2 μ F	\pm 15VDC	1.0 μ F
--	--	15VDC	1.0 μ F	\pm 24VDC	0.47 μ F
--	--	24VDC	0.47 μ F	--	--