



2019-V1.0-0328

Specifications

Constant Current LED Power Supplies
SPD(G) Series, 12W

PAIRUI ELECTRONICS

No. 545 Museum Road
Yangzhou, Jiangsu
China 225009

Tel: 86 (514) 8279 1592

Fax: 86 (514) 8769 3159

2019

LED Power Supplies for Indoor Use

SPD(G) SERIES, 12WATT, IP20/IP44 RATING

Features

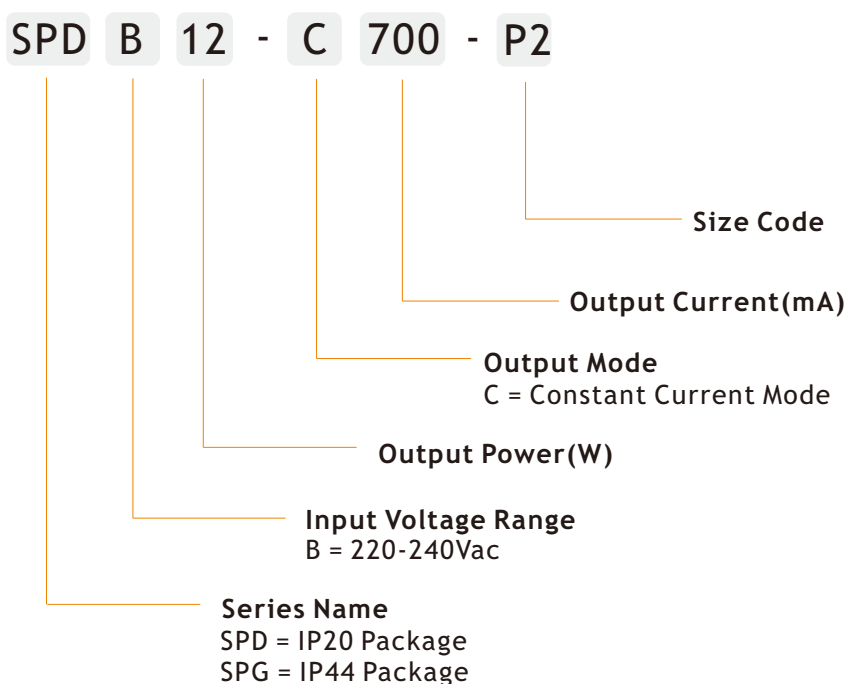
- 3 Year Warranty
- High Input Voltage Range: 220~240Vac
- Constant Current Output Mode
- Waterproof Rating IP20/IP44
- Built-in Active Power Factor Correction
- Short Circuit, Over Voltage, and Over Current Protections



Applications

- ✓ Panel Light
- ✓ Down Light
- ✓ Recessed Light
- ✓ Cabinet Light
- ✓ Other Indoor used Lights

Electrical



Electrical

Part Number	Nominal Input Voltage	Output Current Output Voltage	No Load Voltage	Ripple	Efficiency	Certificate
SPDB12-C250-P2 SPGB12-C250-P2	220-240VAC	250mA(35-48V)	80V	±5%	82%	CE, CCC, TUV, SAA
SPDB12-C300-P2 SPGB12-C300-P2	220-240VAC	300mA(27-40V)	60V	±5%	82%	CE, CCC, TUV, SAA
SPDB12-C350-P2 SPGB12-C350-P2	220-240VAC	350mA(27-34V)	60V	±5%	82%	CE, CCC, TUV, SAA
SPDB12-C400-P2 SPGB12-C400-P2	220-240VAC	400mA(18-30V)	48V	±5%	82%	CE, CCC, TUV, SAA
SPDB12-C500-P2 SPGB12-C500-P2	220-240VAC	500mA(15-24V)	48V	±5%	82%	CE, CCC, TUV, SAA
SPDB12-C600-P2 SPGB12-C600-P2	220-240VAC	600mA(10-20V)	32V	±5%	82%	CE, CCC, TUV, SAA
SPDB12-C700-P2 SPGB12-C700-P2	220-240VAC	700mA(9-18V)	32V	±5%	82%	CE, CCC, TUV, SAA

NOTE: Other output models are may available on request.

INPUT

PARAMETER	CONDITIONS	MIN	TYP	MAX	UNITS
Input frequency		50		60	Hz
Input current	Full load, Vin=220Vac		0.14		A
Inrush current	Cold start, Vin=220Vac		60		A
Leakage current	Cold start, Vin=220Vac		0.5		mA
Power factor(PF)	Full load, Vin=220Vac		0.5		
Surge voltage	L-N		0.5		KV

OUTPUT

PARAMETER	CONDITIONS	MIN	TYP	MAX	UNITS
Output current accuracy			±5		%
Line regulation	Vin from 220Vac to 240Vac		±5		%
Load regulation	Vout from min. to max.		±5		%
Turn-on delay time	Cold start, power on		0.5		S
Ripple	Please refer to below measuring method		See page 2		mAp-p
THD	Full load, Vin=220Vac		20		%

NOTE: The values are measured at 20MHz of bandwidth by using a 12'' twisted pair-wire terminated with 0.1uF & 47uF parallel capacitor under ambient temperature 25°C at rated input voltage and rated load.

Protection

Short circuit	In hiccup mode, it will recover automatically after fault condition is removed
Over voltage	>95% no load output voltage, it will recover automatically after fault condition is removed
Over current	In hiccup mode, it will recover automatically after fault condition is removed

Environment

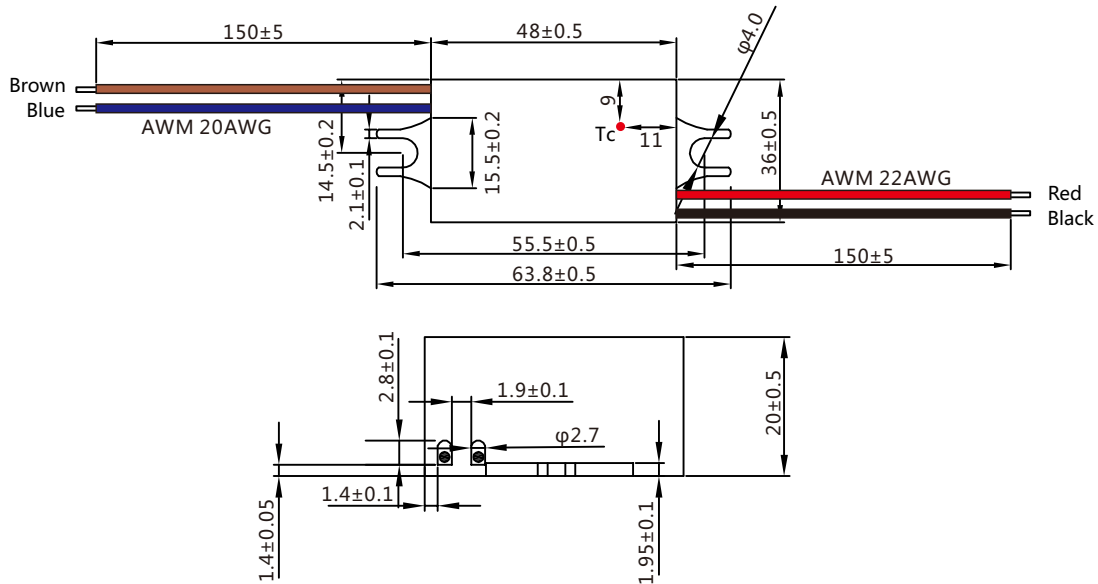
PARAMETER	CONDITIONS	MIN	TYP	MAX	UNITS
Ambient operating temperature	Startup at rated voltage	-20		+45	°C
Operating relative humidity	Non condensing	20		85	%
Storage temperature	Humidity 10 ~ 95% RH	-25		+85	°C
Maximum case temperature	Hot-spot on case			+75	°C
Lifetime	Full load, 25°C ambient temperature	30			Khrs
Waterproof rating	IP20/IP44				
Dimension(LxWxH)	48.0 x 36.0 x 20.0mm				

Safety/EMC

Safety standards	Design refer to EN61347-1, EN61347-2-13, EN60598-1, EN60598-2-6
EMC	Design refer to EN55015, EN61000-4-3, EN61000-3-3

NOTE: Unless otherwise specified, all the above parameters are measured at ambient temperature of 25°C and Vin=220Vac to 240Vac.

Mechanical



Unit: mm

Electrical Curve

