



2019-V1.0-0316

Specifications

Constant Current LED Power Supplies

SL-1 Series, 30~45W

PAIRUI ELECTRONICS

No. 545 Museum Road
Yangzhou, Jiangsu
China 225009

Tel: 86 (514) 8279 1592

Fax: 86 (514) 8769 3159

2019

LED Power Supplies for Indoor Use

SL-1 SERIES, 30~45WATT, IP20 RATING

Features

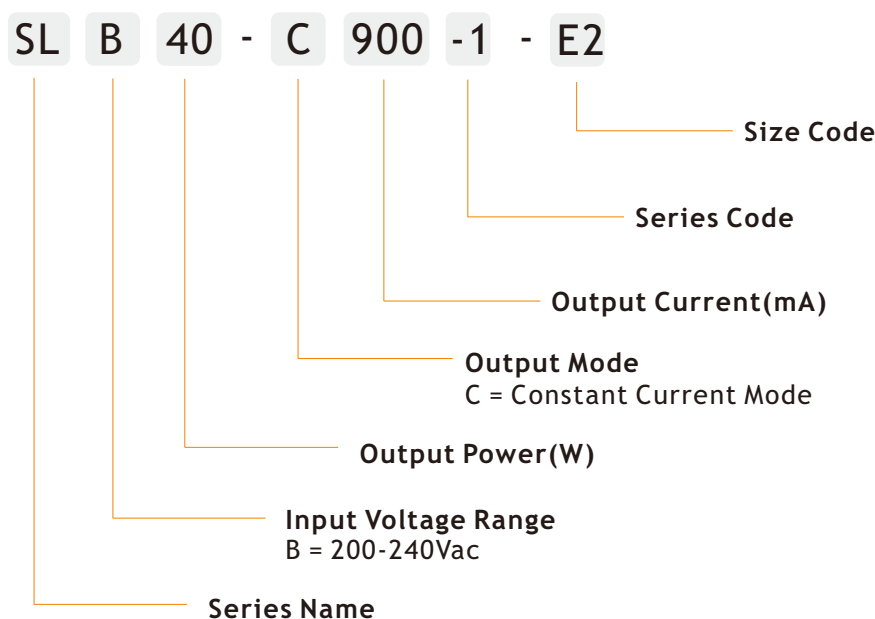
- 3 Year Warranty
- High Input Voltage Range: 200~240Vac
- Constant Current Output Mode
- Waterproof Rating IP20
- Built-in Active Power Factor Correction
- Short Circuit, Over Voltage, and Over Temperature Protections



Applications

- ✓ Panel Light
- ✓ Down Light
- ✓ Recessed Light
- ✓ Cabinet Light
- ✓ Other Indoor used Lights

Electrical



Electrical

Part Number	Nominal Input Voltage	Output Current Output Voltage	No Load Voltage	Ripple	Certificate
SLB30-C700-1-E2	200-240VAC	700mA(27-42V)	50V	50%	CE
SLB30-C750-1-E2	200-240VAC	750mA(27-42V)	50V	50%	CE
SLB40-C800-1-E2	200-240VAC	800mA(27-42V)	50V	50%	CE
SLB40-C850-1-E2	200-240VAC	850mA(27-42V)	50V	50%	CE
SLB40-C900-1-E2	200-240VAC	900mA(27-42V)	50V	50%	CE
SLB40-C950-1-E2	200-240VAC	950mA(27-42V)	50V	50%	CE
SLB45-C1000-1-E2	200-240VAC	1000mA(27-42V)	50V	50%	CE
SLB45-C1050-1-E2	200-240VAC	1050mA(27-42V)	50V	50%	CE

NOTE: Other output models are may available on request.

INPUT

PARAMETER	CONDITIONS	MIN	TYP	MAX	UNITS
Input frequency		50		60	Hz
Input current	Full load, Vin=220Vac		0.3		A
Inrush current	Cold start, Vin=230Vac		40		A
Power factor(PF)	Full load, Vin=220Vac		0.9		
Efficiency	Full load, Vin=220Vac		87		%
Surge voltage	L-N		1		KV

OUTPUT

PARAMETER	CONDITIONS	MIN	TYP	MAX	UNITS
Output current accuracy			±5		%
Line regulation	Vin from 220Vac to 240Vac		±3		%
Load regulation	Vout from min. to max.		±3		%
Output current overshoot	Turning on		20		%
Turn-on delay time	Cold start, power on		0.5		ms
Ripple	Please refer to below measuring method		See page 2		mAp-p
THD	Full load, Vin=220Vac		20		%

NOTE: The values are measured at 20MHz of bandwidth by using a 12" twisted pair-wire terminated with 0.1uF & 47uF parallel capacitor under ambient temperature 25°C at rated input voltage and rated load.

Protection

Short circuit	In hiccup mode, it will recover automatically after fault condition is removed
Over voltage	110-120% output voltage, it will recover automatically after fault condition is removed
Over temperature	High temperature reduces output current and recovers after temperature back to normal

Environment

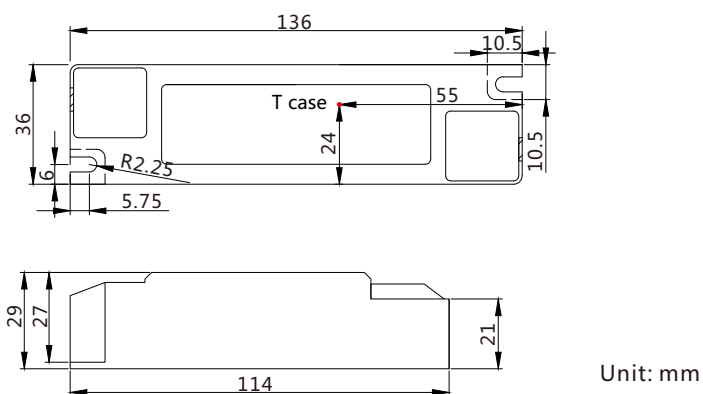
PARAMETER	CONDITIONS	MIN	TYP	MAX	UNITS
Ambient operating temperature	Startup at rated voltage	-25		+50	°C
Operating relative humidity	Non condensing	20		90	%
Storage temperature	Humidity 10 ~ 95% RH	-30		+80	°C
Maximum case temperature	Hot-spot on case			+75	°C
Lifetime	80% load, 25°C ambient temperature	30			Khrs
Waterproof rating	IP20				
Dimension(LxWxH)	136.0 x 36.0 x 29.0mm				

Safety/EMC

Safety standards	Design refer to EN61347-1 , EN61347-2-13 , EN60598-1 , EN60598-2-6
Withstand voltage	I/P: 3.75KVAC, 60s
EMC	Design refer to EN55015 , EN61000-4-3 , EN61000-3-3

NOTE: Unless otherwise specified, all the above parameters are measured at ambient temperature of 25°C and Vin=200Vac to 240Vac.

Mechanical



Electrical Curve

