



2019-V1.1-0315

Specifications

**Constant Current LED Power Supplies
LVEU Series, 50~60W**

2019

PAIRUI ELECTRONICS

No. 545 Museum Road
Yangzhou, Jiangsu
China 225009

Tel: 86 (514) 8279 1592

Fax: 86 (514) 8769 3159

LED Power Supplies for Indoor Use

LVEU SERIES, 50~60WATT, IP20 RATING

Features

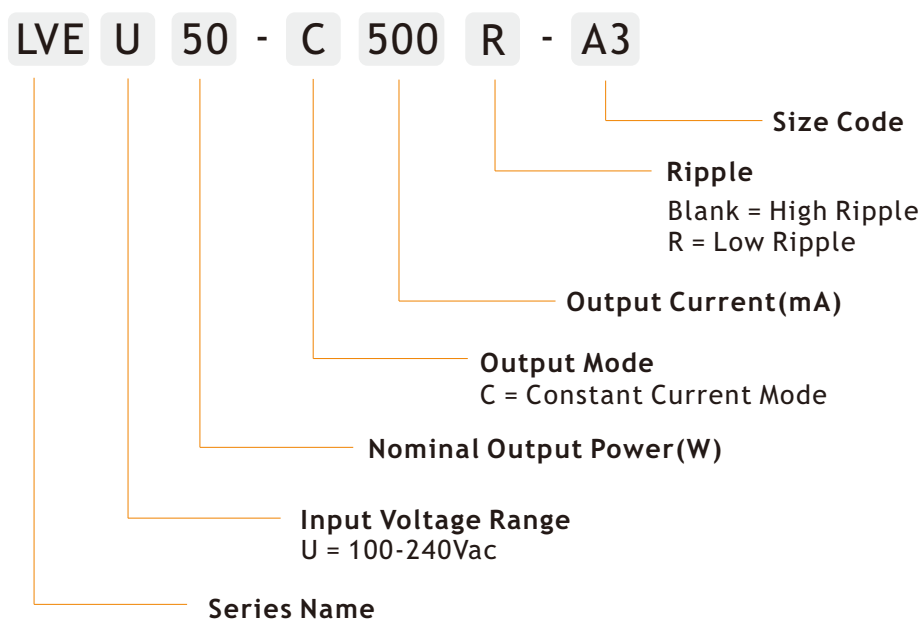
- 3 Year Warranty
- Wide Input Voltage Range: 100~240Vac
- Constant Current Output Mode
- Waterproof Rating IP20
- Built-in Active Power Factor Correction
- Short Circuit, Over Voltage, and Over Current Protections
- Class II Power, no FG



Applications

- ✓ Panel Light
- ✓ Down Light
- ✓ Recessed Light
- ✓ Cabinet Light
- ✓ Other Indoor used Lights

Electrical



Electrical

Part Number	Nominal Input Voltage	Output Current Output Voltage	No Load Output Voltage	Ripple	Certificate
LVEU50-C500-A3	100-240VAC	500mA(70-95V)	100V	75%/10%	–
LVEU50-C550-A3	100-240VAC	550mA(60-85V)	98V	75%/10%	–
LVEU50-C650-A3	100-240VAC	650mA(50-76V)	80V	75%/10%	–
LVEU50-C850-A3	100-240VAC	850mA(40-55V)	63V	75%/10%	CE, CCC, TUV, SAA
LVEU50-C900-A3	100-240VAC	900mA(40-55V)	63V	75%/10%	CE, CCC, TUV, SAA
LVEU50-C1100-A3	100-240VAC	1100mA(27-42V)	50V	75%/10%	CE, CCC, TUV, SAA
LVEU50-C1150-A3*	100-240VAC	1150mA(27-42V)	50V	75%	CE, CCC, TUV, SAA
LVEU50-C1200-A3*	100-240VAC	1200mA(27-42V)	50V	75%	CE, CCC, TUV, SAA
LVEU55-C550-A3	100-240VAC	550mA(70-95V)	100V	75%/10%	–
LVEU55-C600-A3	100-240VAC	600mA(60-85V)	98V	75%/10%	–
LVEU55-C650-A3	100-240VAC	650mA(60-85V)	98V	75%/10%	–
LVEU55-C700-A3	100-240VAC	700mA(50-76V)	80V	75%/10%	–
LVEU55-C950-A3	100-240VAC	950mA(40-55V)	63V	75%/10%	CE, CCC, TUV, SAA
LVEU55-C1000-A3	100-240VAC	1000mA(40-55V)	63V	75%/10%	CE, CCC, TUV, SAA
LVEU55-C1250-A3*	100-240VAC	1250mA(27-42V)	50V	75%	CE, CCC, TUV, SAA
LVEU55-C1300-A3*	100-240VAC	1300mA(27-42V)	50V	75%	CE, CCC, TUV, SAA
LVEU60-C600-A3	100-240VAC	600mA(70-95V)	100V	75%/10%	–
LVEU60-C700-A3	100-240VAC	700mA(60-85V)	98V	75%/10%	–
LVEU60-C750-A3	100-240VAC	750mA(50-76V)	80V	75%/10%	–
LVEU60-C800-A3	100-240VAC	800mA(50-76V)	80V	75%/10%	–
LVEU60-C1050-A3	100-240VAC	1050mA(40-55V)	63V	75%/10%	CE, CCC, TUV, SAA
LVEU60-C1100-A3	100-240VAC	1100mA(40-55V)	63V	75%/10%	CE, CCC, TUV, SAA
LVEU60-C1350-A3*	100-240VAC	1350mA(27-42V)	50V	75%	CE, CCC, TUV, SAA
LVEU60-C1400-A3*	100-240VAC	1400mA(27-42V)	50V	75%	CE, CCC, TUV, SAA
LVEU60-C1450-A3*	100-240VAC	1450mA(27-42V)	50V	75%	CE, CCC, TUV, SAA
LVEU60-C1500-A3*	100-240VAC	1500mA(27-42V)	50V	75%	CE, CCC, TUV, SAA

NOTE:

1. Other output models are may available on request;
2. Add suffix “R” for low ripple version($\leq 10\%$);
3. The models which marked with * is only available for high ripple version.

INPUT

PARAMETER	CONDITIONS	MIN	TYP	MAX	UNITS
Input frequency		47		63	Hz
Input current	Full load, Vin=110Vac Full load, Vin=220Vac		0.8 0.4		A A
Inrush current	Cold start, Vin=230Vac		30		A
Power factor(PF)	Full load, Vin=110Vac Full load, Vin=220Vac		0.98 0.95		
Efficiency (High ripple version)	Full load, Vin=110Vac Full load, Vin=220Vac		87 89		% %
Efficiency (Low ripple version)	Full load, Vin=110Vac Full load, Vin=220Vac		84 86		% %
Surge voltage	L-N		2		KV

OUTPUT

PARAMETER	CONDITIONS	MIN	TYP	MAX	UNITS
Output current accuracy			±5		%
Line regulation	Vin from 100Vac to 240Vac		±5		%
Load regulation	Vout from min. to max.		±5		%
Output current overshoot	Turning on		10		%
Turn-on delay time	Cold start, power on		1		S
Ripple	Please refer to below measuring method		See page 2		mAp-p
THD	Full load, Vin=220Vac		15		%

NOTE: The values are measured at 20MHz of bandwidth by using a 12" twisted pair-wire terminated with 0.1uF & 47uF parallel capacitor under ambient temperature 25°C at rated input voltage and rated load.

Protection

Short circuit	In hiccup mode, it will recover automatically after fault condition is removed
Over voltage	110-150% Vout, it will recover automatically after fault condition is removed
Over current	In hiccup mode, it will recover automatically after fault condition is removed

Environment

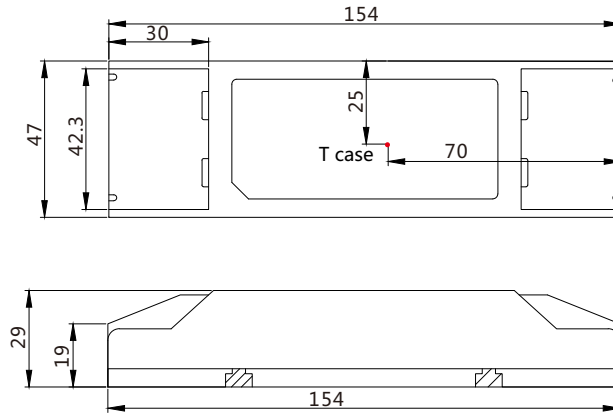
PARAMETER	CONDITIONS	MIN	TYP	MAX	UNITS
Ambient operating temperature	Startup at rated voltage	-35		+50	°C
Operating relative humidity	Non condensing	20		90	%
Storage temperature	Humidity 10 ~ 95% RH	-40		+80	°C
Maximum case temperature	Hot-spot on case			+90	°C
Lifetime	Full load, 220Vac input, 25°C ambient temperature	30			Khrs
Waterproof rating	IP20				
Dimension(LxWxH)	154.0 x 47.0 x 29.0mm				
Weight	180g				

Safety/EMC

Safety	Design refer to EN61347-1, EN61347-2-13
EMC	Compliance to EN55015, FCC Part 15 Class B, EN61000-3-2, EN61000-3-3, EN61000-4-2, 3, 4, 5, 6, 8, 11, EN61547

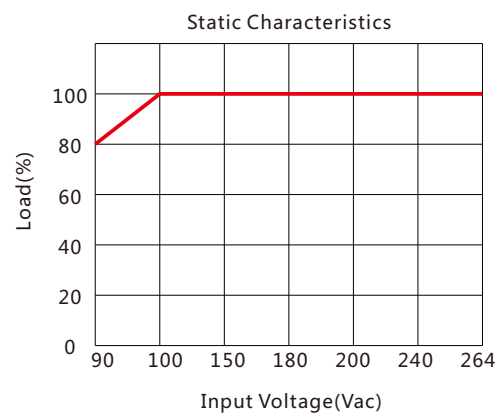
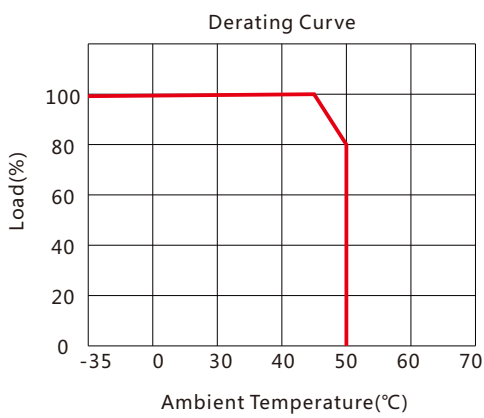
NOTE: Unless otherwise specified, all the above parameters are measured at ambient temperature of 25°C and Vin=100Vac to 240Vac.

Mechanical



Unit: mm

Electrical Curve



Update Record

Date	Version	Updated Content	Updated By	Approved By
2018/09/13	2018-V1.1-0913	File created		
2018/12/26	2018-V1.1-1226	Update no load voltage		
2019/03/15	2019-V1.1-0315	File updated		