



2019-V1.1-0315

# Specifications

---

**Constant Current LED Power Supplies  
LVEU Series, 30~45W**

**2019**

**PAIRUI ELECTRONICS**

No. 545 Museum Road  
Yangzhou, Jiangsu  
China 225009

Tel: 86 (514) 8279 1592

Fax: 86 (514) 8769 3159

# LED Power Supplies for Indoor Use

## LVEU SERIES, 30~45WATT, IP20 RATING

### Features

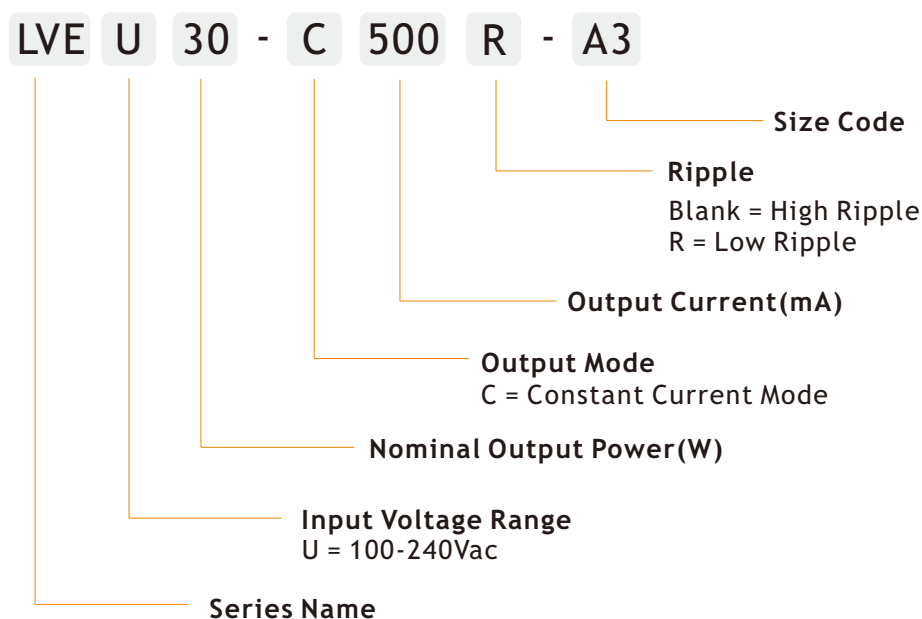
- 3 Year Warranty
- Wide Input Voltage Range: 100~240Vac
- Constant Current Output Mode
- Waterproof Rating IP20
- Built-in Active Power Factor Correction
- Short Circuit, Over Voltage, and Over Current Protections
- Class II Power, no FG



### Applications

- ✓ Panel Light
- ✓ Down Light
- ✓ Recessed Light
- ✓ Cabinet Light
- ✓ Other Indoor used Lights

### Electrical



## Electrical

Part Number	Nominal Input Voltage	Output Current Output Voltage	No Load Output Voltage	Ripple	Certificate
LVEU30-C300-A3	100-240VAC	300mA(70-95V)	100V	75%/10%	–
LVEU30-C400-A3	100-240VAC	400mA(50-76V)	80V	75%/10%	–
LVEU30-C500-A3	100-240VAC	500mA(40-55V)	63V	75%/10%	CE, CCC, TUV, SAA
LVEU30-C550-A3	100-240VAC	550mA(40-55V)	63V	75%/10%	CE, CCC, TUV, SAA
LVEU30-C650-A3	100-240VAC	650mA(27-42V)	50V	75%/10%	CE, CCC, TUV, SAA
LVEU30-C700-A3	100-240VAC	700mA(27-42V)	50V	75%/10%	CE, CCC, TUV, SAA
LVEU30-C900-A3	100-240VAC	900mA(18-33V)	35V	75%/10%	CE, CCC, TUV, SAA
LVEU35-C350-A3	100-240VAC	350mA(70-95V)	100V	75%/10%	–
LVEU35-C450-A3	100-240VAC	450mA(50-76V)	80V	75%/10%	–
LVEU35-C600-A3	100-240VAC	600mA(40-55V)	63V	75%/10%	CE, CCC, TUV, SAA
LVEU35-C750-A3	100-240VAC	750mA(27-42V)	50V	75%/10%	CE, CCC, TUV, SAA
LVEU35-C800-A3	100-240VAC	800mA(27-42V)	50V	75%/10%	CE, CCC, TUV, SAA
LVEU35-C950-A3	100-240VAC	950mA(18-31V)	35V	75%/10%	CE, CCC, TUV, SAA
LVEU35-C1000-A3	100-240VAC	1000mA(18-31V)	35V	75%/10%	CE, CCC, TUV, SAA
LVEU35-C1050-A3	100-240VAC	1050mA(18-31V)	35V	75%/10%	CE, CCC, TUV, SAA
LVEU40-C400-A3	100-240VAC	400mA(70-95V)	100V	75%/10%	–
LVEU40-C500-A3	100-240VAC	500mA(50-76V)	80V	75%/10%	–
LVEU40-C650-A3	100-240VAC	650mA(40-55V)	63V	75%/10%	CE, CCC, TUV, SAA
LVEU40-C700-A3	100-240VAC	700mA(40-55V)	63V	75%/10%	CE, CCC, TUV, SAA
LVEU40-C850-A3	100-240VAC	850mA(27-42V)	50V	75%/10%	CE, CCC, TUV, SAA
LVEU40-C900-A3	100-240VAC	900mA(27-42V)	50V	75%/10%	CE, CCC, TUV, SAA
LVEU40-C950-A3	100-240VAC	950mA(27-42V)	50V	75%/10%	CE, CCC, TUV, SAA
LVEU45-C450-A3	100-240VAC	450mA(70-95V)	100V	75%/10%	–
LVEU45-C550-A3	100-240VAC	550mA(50-76V)	80V	75%/10%	–
LVEU45-C600-A3	100-240VAC	600mA(50-76V)	80V	75%/10%	–
LVEU45-C750-A3	100-240VAC	750mA(40-55V)	63V	75%/10%	CE, CCC, TUV, SAA
LVEU45-C800-A3	100-240VAC	800mA(40-55V)	63V	75%/10%	CE, CCC, TUV, SAA
LVEU45-C1000-A3	100-240VAC	1000mA(27-42V)	50V	75%/10%	CE, CCC, TUV, SAA
LVEU45-C1050-A3	100-240VAC	1050mA(27-42V)	50V	75%/10%	CE, CCC, TUV, SAA

NOTE:

1. Other output models are may available on request;
2. Add suffix “R” for low ripple version( $\leq 10\%$ ).

**INPUT**

PARAMETER	CONDITIONS	MIN	TYP	MAX	UNITS
Input frequency		47		63	Hz
Input current	Full load, Vin=110Vac Full load, Vin=220Vac		0.6 0.3		A A
Inrush current	Cold start, Vin=230Vac		30		A
Power factor(PF)	Full load, Vin=110Vac Full load, Vin=220Vac		0.97 0.95		
Efficiency (High ripple version)	Full load, Vin=110Vac Full load, Vin=220Vac		86 88		% %
Efficiency (Low ripple version)	Full load, Vin=110Vac Full load, Vin=220Vac		84 86		% %
Surge voltage	L-N		2		KV

**OUTPUT**

PARAMETER	CONDITIONS	MIN	TYP	MAX	UNITS
Output current accuracy			±5		%
Line regulation	Vin from 100Vac to 240Vac		±5		%
Load regulation	Vout from min. to max.		±5		%
Output current overshoot	Turning on		10		%
Turn-on delay time	Cold start, power on		1		S
Ripple	Please refer to below measuring method		See page 2		mAp-p
THD	Full load, Vin=220Vac		15		%

NOTE: The values are measured at 20MHz of bandwidth by using a 12" twisted pair-wire terminated with 0.1uF & 47uF parallel capacitor under ambient temperature 25°C at rated input voltage and rated load.

**Protection**

Short circuit	In hiccup mode, it will recover automatically after fault condition is removed
Over voltage	110-150% Vout, it will recover automatically after fault condition is removed
Over current	In hiccup mode, it will recover automatically after fault condition is removed

## Environment

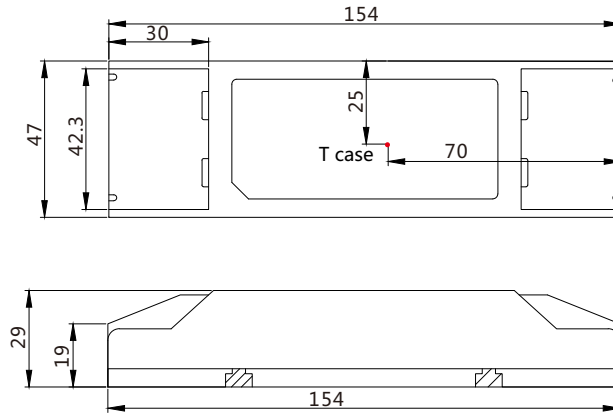
PARAMETER	CONDITIONS	MIN	TYP	MAX	UNITS
Ambient operating temperature	Startup at rated voltage	-35		+50	°C
Operating relative humidity	Non condensing	20		90	%
Storage temperature	Humidity 10 ~ 95% RH	-40		+80	°C
Maximum case temperature	Hot-spot on case			+90	°C
Lifetime	Full load, 220Vac input, 25°C ambient temperature	30			Khrs
Waterproof rating	IP20				
Dimension(LxWxH)	154.0 x 47.0 x 29.0mm				
Weight	180g				

## Safety/EMC

Safety	Design refer to EN61347-1, EN61347-2-13
EMC	Compliance to EN55015, FCC Part 15 Class B, EN61000-3-2, EN61000-3-3, EN61000-4-2, 3, 4, 5, 6, 8, 11, EN61547

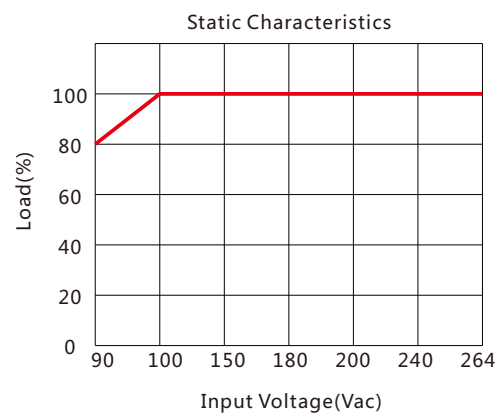
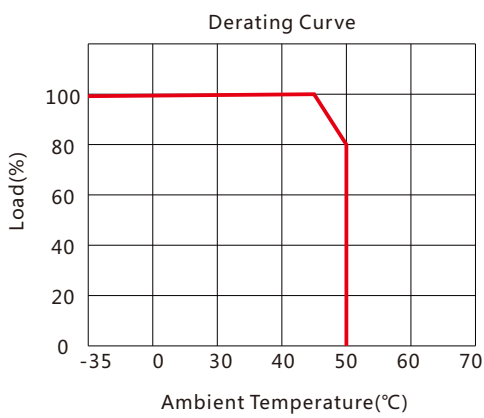
NOTE: Unless otherwise specified, all the above parameters are measured at ambient temperature of 25°C and Vin=100Vac to 240Vac.

## Mechanical



Unit: mm

## Electrical Curve



## Update Record

Date	Version	Updated Content	Updated By	Approved By
2018/09/13	2018-V1.1-0913	File created		
2018/12/26	2018-V1.1-1226	Update no load voltage		
2019/03/15	2019-V1.1-0315	File updated		