



2019-V1.1-0315

# Specifications

---

**Constant Current LED Power Supplies  
LVEB Series, 20~45W**

**2019**

**PAIRUI ELECTRONICS**

No. 545 Museum Road  
Yangzhou, Jiangsu  
China 225009

Tel: 86 (514) 8279 1592

Fax: 86 (514) 8769 3159

# LED Power Supplies for Indoor Use

## LVEB SERIES, 20~45WATT, IP20 RATING

### Features

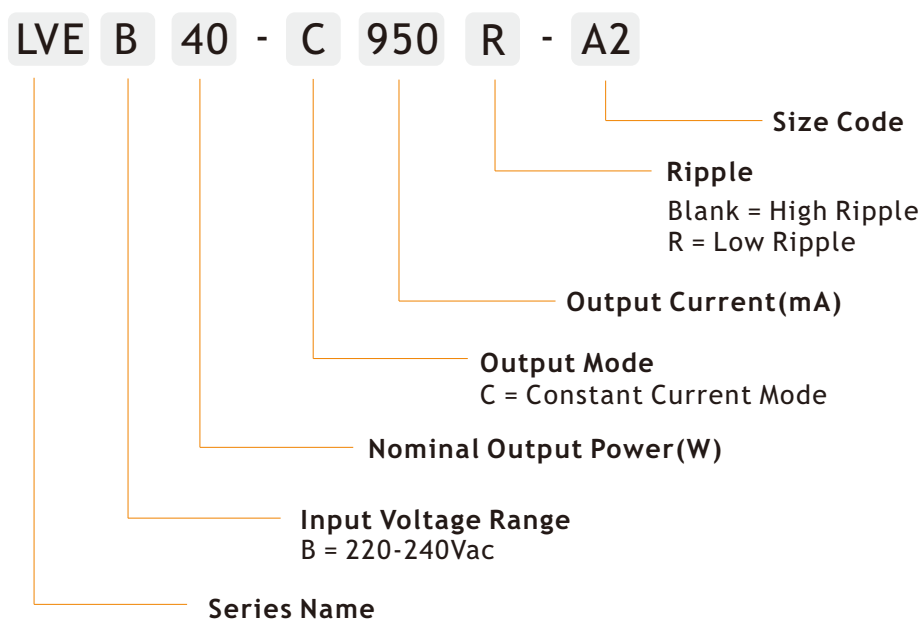
- 3 Year Warranty
- High Input Voltage Range: 220~240Vac
- Constant Current Output Mode
- Waterproof Rating IP20
- Built-in Active Power Factor Correction
- Short Circuit, Over Voltage, and Over Current Protections
- Class II Power, no FG



### Applications

- ✓ Panel Light
- ✓ Down Light
- ✓ Recessed Light
- ✓ Cabinet Light
- ✓ Other Indoor used Lights

### Electrical



## Electrical

Part Number	Nominal Input Voltage	Output Current Output Voltage	No Load Output Voltage	Ripple	Certificate
LVEB20-C200-A2	220-240VAC	200mA(50-76V)	80V	70%/10%	-
LVEB20-C250-A2	220-240VAC	250mA(50-76V)	80V	70%/10%	-
LVEB20-C300-A2	220-240VAC	300mA(40-55V)	63V	70%/10%	CE, TUV, CCC, SAA
LVEB20-C350-A2	220-240VAC	350mA(40-55V)	63V	70%/10%	CE, TUV, CCC, SAA
LVEB20-C400-A2	220-240VAC	400mA(27-42V)	50V	70%/10%	CE, TUV, CCC, SAA
LVEB20-C450-A2	220-240VAC	450mA(27-42V)	50V	70%/10%	CE, TUV, CCC, SAA
LVEB25-C300-A2	220-240VAC	300mA(50-76V)	80V	70%/10%	-
LVEB25-C400-A2	220-240VAC	400mA(40-55V)	63V	70%/10%	CE, TUV, CCC, SAA
LVEB25-C450-A2	220-240VAC	450mA(40-55V)	63V	70%/10%	CE, TUV, CCC, SAA
LVEB25-C500-A2	220-240VAC	500mA(27-42V)	50V	70%/10%	CE, TUV, CCC, SAA
LVEB25-C550-A2	220-240VAC	550mA(27-42V)	50V	70%/10%	CE, TUV, CCC, SAA
LVEB25-C600-A2	220-240VAC	600mA(27-42V)	50V	70%/10%	CE, TUV, CCC, SAA
LVEB30-C300-A2	220-240VAC	300mA(70-95V)	100V	70%/10%	-
LVEB30-C350-A2	220-240VAC	350mA(50-76V)	80V	70%/10%	-
LVEB30-C400-A2	220-240VAC	400mA(50-76V)	63V	70%/10%	-
LVEB30-C500-A2	220-240VAC	500mA(40-55V)	63V	70%/10%	CE, TUV, CCC, SAA
LVEB30-C550-A2	220-240VAC	550mA(40-55V)	63V	70%/10%	CE, TUV, CCC, SAA
LVEB30-C650-A2	220-240VAC	650mA(27-42V)	50V	70%/10%	CE, TUV, CCC, SAA
LVEB30-C700-A2	220-240VAC	700mA(27-42V)	50V	70%/10%	CE, TUV, CCC, SAA
LVEB35-C350-A2	220-240VAC	350mA(70-95V)	100V	70%/10%	-
LVEB35-C450-A2	220-240VAC	450mA(50-76V)	80V	70%/10%	-
LVEB35-C600-A2	220-240VAC	600mA(40-55V)	63V	70%/10%	CE, TUV, CCC, SAA
LVEB35-C750-A2	220-240VAC	750mA(27-42V)	50V	70%/10%	CE, TUV, CCC, SAA
LVEB35-C800-A2	220-240VAC	800mA(27-42V)	50V	70%/10%	CE, TUV, CCC, SAA

## Electrical

Part Number	Nominal Input Voltage	Output Current Output Voltage	No Load Output Voltage	Ripple	Certificate
LVEB40-C400-A2	220-240VAC	400mA(70-95V)	100V	70%/10%	-
LVEB40-C500-A2	220-240VAC	500mA(50-76V)	80V	70%/10%	-
LVEB40-C650-A2	220-240VAC	650mA(40-55V)	63V	70%/10%	CE, TUV, CCC, SAA
LVEB40-C700-A2	220-240VAC	700mA(40-55V)	63V	70%/10%	CE, TUV, CCC, SAA
LVEB40-C850-A2	220-240VAC	850mA(27-42V)	50V	70%/10%	CE, TUV, CCC, SAA
LVEB40-C900-A2	220-240VAC	900mA(27-42V)	50V	70%/10%	CE, TUV, CCC, SAA
LVEB40-C950-A2	220-240VAC	950mA(27-42V)	50V	70%/10%	CE, TUV, CCC, SAA
LVEB45-C550-A2	220-240VAC	550mA(50-76V)	80V	70%/10%	-
LVEB45-C750-A2	220-240VAC	750mA(40-55V)	63V	70%/10%	CE, TUV, CCC, SAA
LVEB45-C1000-A2*	220-240VAC	1000mA(27-42V)	50V	70%	CE, TUV, CCC, SAA
LVEB45-C1050-A2*	220-240VAC	1050mA(27-42V)	50V	70%	CE, TUV, CCC, SAA

**NOTE:**

1. Other output models are may available on request;
2. Add suffix "R" for low ripple version( $\leq 10\%$ );
3. The models which marked with \* is only available for high ripple version.

**INPUT**

PARAMETER	CONDITIONS	MIN	TYP	MAX	UNITS
Input frequency		47		63	Hz
Input current	Full load, Vin=220Vac		0.3		A
Inrush current	Cold start, Vin=240Vac		30		A
Power factor(PF)	Full load, Vin=220Vac		0.95		
Efficiency (High ripple version)	Full load, Vin=220Vac		87		%
Efficiency (Low ripple version)	Full load, Vin=220Vac		85		%
Surge voltage	L-N		2		KV

## OUTPUT

PARAMETER	CONDITIONS	MIN	TYP	MAX	UNITS
Output current accuracy			±5		%
Line regulation	Vin from 220Vac to 240Vac		±5		%
Load regulation	Vout from min. to max.		±5		%
Output current overshoot	Turning on		10		%
Turn-on delay time	Cold start, power on		1		S
Ripple	Please refer to below measuring method		See page 2		mAp-p
THD	Full load, Vin=220Vac		15		%

NOTE: The values are measured at 20MHz of bandwidth by using a 12" twisted pair-wire terminated with 0.1uF & 47uF parallel capacitor under ambient temperature 25°C at rated input voltage and rated load.

## Protection

Short circuit	In hiccup mode, it will recover automatically after fault condition is removed
Over voltage	110-150% Vout, it will recover automatically after fault condition is removed
Over current	In hiccup mode, it will recover automatically after fault condition is removed

Environment

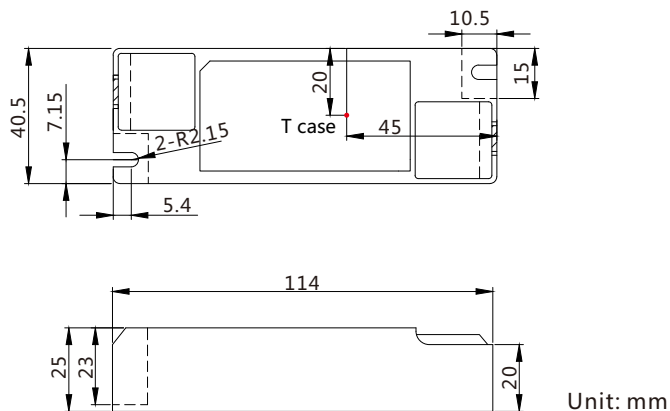
PARAMETER	CONDITIONS	MIN	TYP	MAX	UNITS
Ambient operating temperature	Startup at rated voltage	-35		+45	°C
Operating relative humidity	Non condensing	20		90	%
Storage temperature	Humidity 10 ~ 95% RH	-40		+80	°C
Maximum case temperature	Hot-spot on case			+90	°C
Lifetime	Full load, 220Vac input, 25°C ambient temperature	30			Khrs
Waterproof rating	IP20				
Dimension(LxWxH)	115.0 x 40.5 x 25.0mm				
Weight	150g				

Safety/EMC

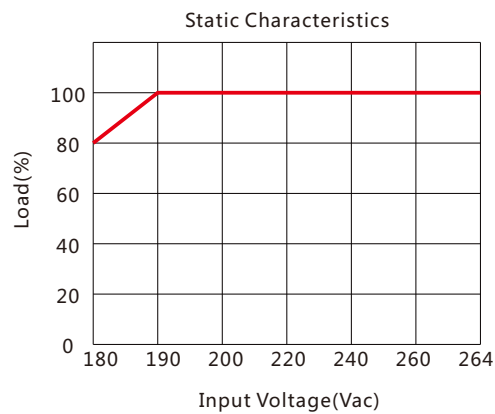
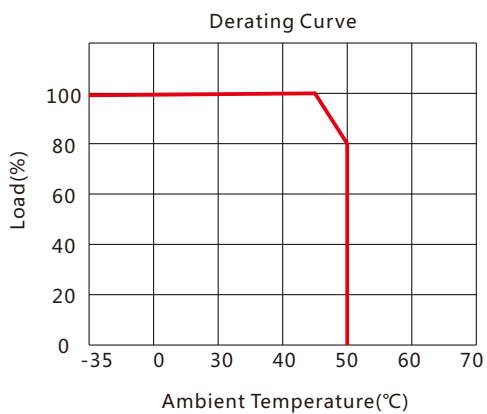
Safety	Design refer to EN61347-1, EN61347-2-13
EMC	Compliance to EN55015, EN61000-3-2, EN61000-3-3, EN61000-4-2, 3, 4, 5, 6, 8, 11, EN61547

NOTE: Unless otherwise specified, all the above parameters are measured at ambient temperature of 25°C and Vin=220Vac to 240Vac.

## Mechanical



## Electrical Curve





## Update Record

Date	Version	Updated Content	Updated By	Approved By
2018/09/13	2018-V1.1-0913	File created		
2018/12/26	2018-V1.1-1226	Update no load voltage		
2019/03/15	2019-V1.1-0315	File updated		