



2019-V2.0-0312

Specifications

LED Power Supplies for Outdoor Use

LGCU-60C Series, 60W

PAIRUI ELECTRONICS

No. 545 Museum Road
Yangzhou, Jiangsu
China 225009

Tel: 86 (514) 8279 1592

Fax: 86 (514) 8769 3159

2019

LED Power Supplies for Outdoor Use

LGCU-60C SERIES, 60WATT, IP67 RATING

Features

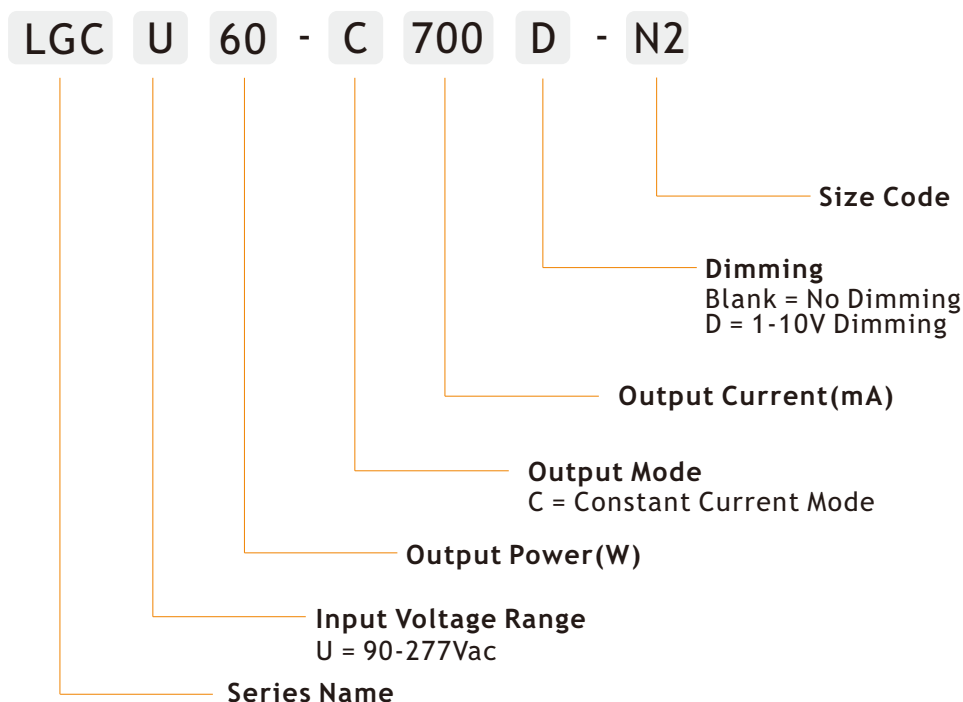
- 3 Year Warranty
- Universal Input Voltage Range: 90~277Vac
- Constant Current Output Mode
- High PF up to 0.99
- Rating IP67, Suitable for Outdoor Applications
- All Round Protections: Short Circuit, Over Voltage, Over Current, Over Temperature
- Optional Dimming(1-10V)



Applications

- ✓ Street Light
- ✓ Tunnel Light
- ✓ Flood Light
- ✓ Refrigeration Equipment
- ✓ Other Light Fixtures for Outdoor Use

Electrical



Electrical

| Part Number | Nominal Input Range | Output Current Output Voltage | No Load Output Voltage | Ripple | Efficiency | Certificate |
|-----------------|---------------------|-------------------------------|------------------------|--------|------------|-------------|
| LGCU60-C350-N2 | 100-240Vac | 350mA(120-171Vdc) | 188Vdc | 5% | 90% | CE |
| LGCU60-C450-N2 | 100-240Vac | 450mA(93-133Vdc) | 146Vdc | 5% | 90% | CE |
| LGCU60-C700-N2 | 100-240Vac | 700mA(60-85Vdc) | 94Vdc | 5% | 88% | CE |
| LGCU60-C1050-N2 | 100-240Vac | 1050mA(40-57Vdc) | 63Vdc | 5% | 88% | CE |
| LGCU60-C1400-N2 | 100-240Vac | 1400mA(31-43Vdc) | 47Vdc | 5% | 87% | CE |
| LGCU60-C1750-N2 | 100-240Vac | 1750mA(24-34Vdc) | 37Vdc | 5% | 87% | CE |
| LGCU60-C2100-N2 | 100-240Vac | 2100mA(20-28Vdc) | 31Vdc | 5% | 87% | CE |

Note:

1. Other output models are may available on request;
2. Add suffix "D" for 1-10V dimming.

INPUT

| PARAMETER | CONDITIONS | MIN | TYP | MAX | UNITS |
|------------------|--|-----|--------------|-----|----------|
| Input voltage | | 90 | | 277 | Vac |
| Input frequency | | 47 | | 63 | Hz |
| Input current | Full load, Vin=230Vac | | 0.32 | | A |
| Inrush current | Cold start, Vin=230Vac | | | 65 | A |
| Power factor(PF) | Full load, Vin=110Vac Full load, Vin=220Vac | | 0.99 0.95 | | |
| Leakage current | Vin=230Vac, 50Hz | | 0.75 | | mA |
| Surge voltage | L-N L, N-FG | | 4 6 | | KV KV |

OUTPUT

| PARAMETER | CONDITIONS | MIN | TYP | MAX | UNITS |
|--------------------------|---------------------------|-----|------------|-----|-------|
| Output current accuracy | | | ±5 | | % |
| Line regulation | Vin from 100Vac to 240Vac | | | 5 | % |
| Load regulation | Vout from min. to max. | | | 5 | % |
| Output current overshoot | Turning on | | | 10 | % |
| Turn-on delay time | Cold start, power on | | 1 | | S |
| Ripple | Refer to below note | | See page 2 | | mAp-p |
| THD | Output load≥50% | | | 20 | % |

NOTE: The values are measured at 20MHz of bandwidth by using a 12" twisted pair-wire terminated with 0.1uF & 47uF parallel capacitor under ambient temperature 25°C at rated input voltage and rated load.

Protection

| | |
|------------------|---|
| Short circuit | In hiccup mode, it will recover automatically after fault condition is removed |
| Over voltage | 110-150% Vout In hiccup mode, it will recover automatically after fault condition is removed |
| Over current | In hiccup mode, it will recover automatically after fault condition is removed |
| Over temperature | In hiccup mode, it will recover automatically after fault condition is removed |

Environment

| PARAMETER | CONDITIONS | MIN | TYP | MAX | UNITS |
|-------------------------------|---|-----|-----|-----|-------|
| Ambient operating temperature | Startup at rated voltage | -35 | | +70 | °C |
| Operating relative humidity | Non condensing | 10 | | 95 | % |
| Storage temperature | Humidity 5 ~ 100% RH | -40 | | +85 | °C |
| Maximum case temperature | Hot-spot on case | | | +90 | °C |
| Lifetime | Full load, 220Vac input, 25°C ambient temperature | 30 | | | Khrs |
| Waterproof rating | IP67 | | | | |
| Dimension(LxWxH) | 150.0 x 65.5 x 39.5mm | | | | |
| Weight | 670g | | | | |

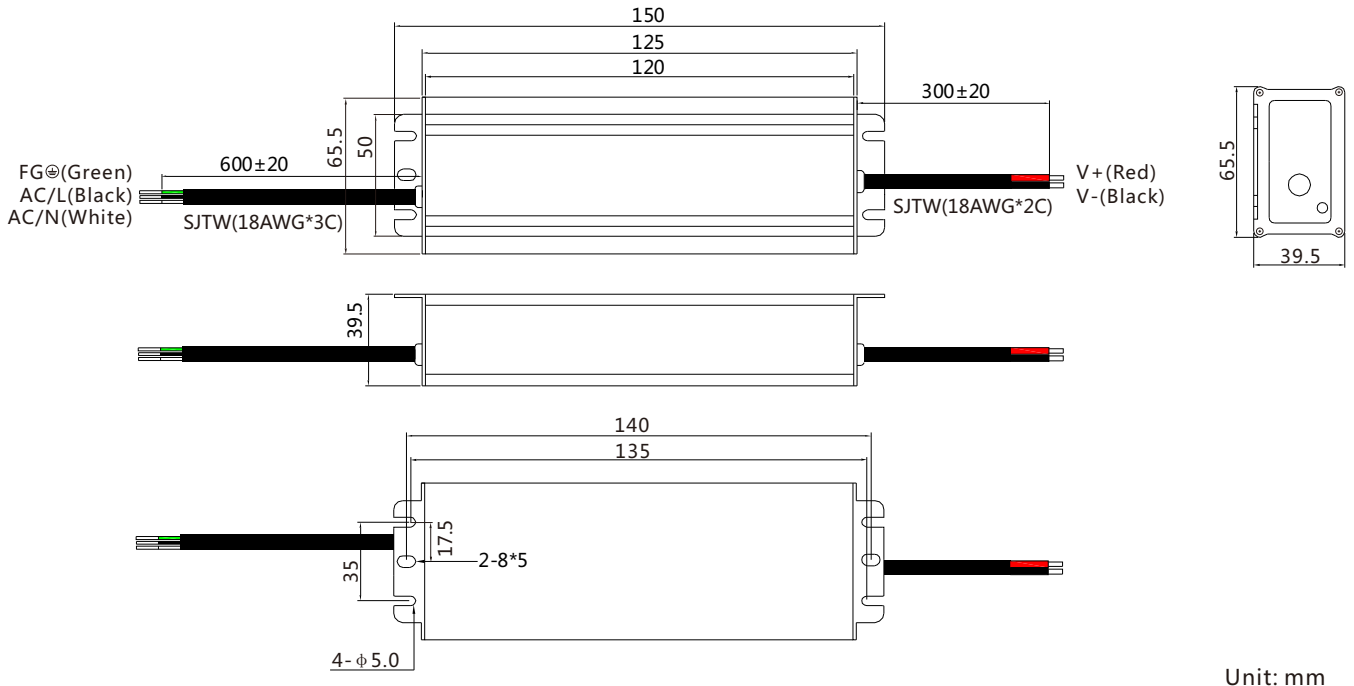
Safety/EMC

| | |
|--------|--|
| Safety | Design refer to UL8750, UL935, UL1012, UL1310 Class 2, EN61347, EN61347-2-13 GB19510.1-2009, GB19510.14-2009 |
| EMC | Compliance to EN55015, FCC Part 15 Class B, EN61000-3-2, EN61000-3-3, EN61000-4-2, 3, 4, 6, 8, 11, EN61547, GB-T17743-2007, GB17625.1-2012 |

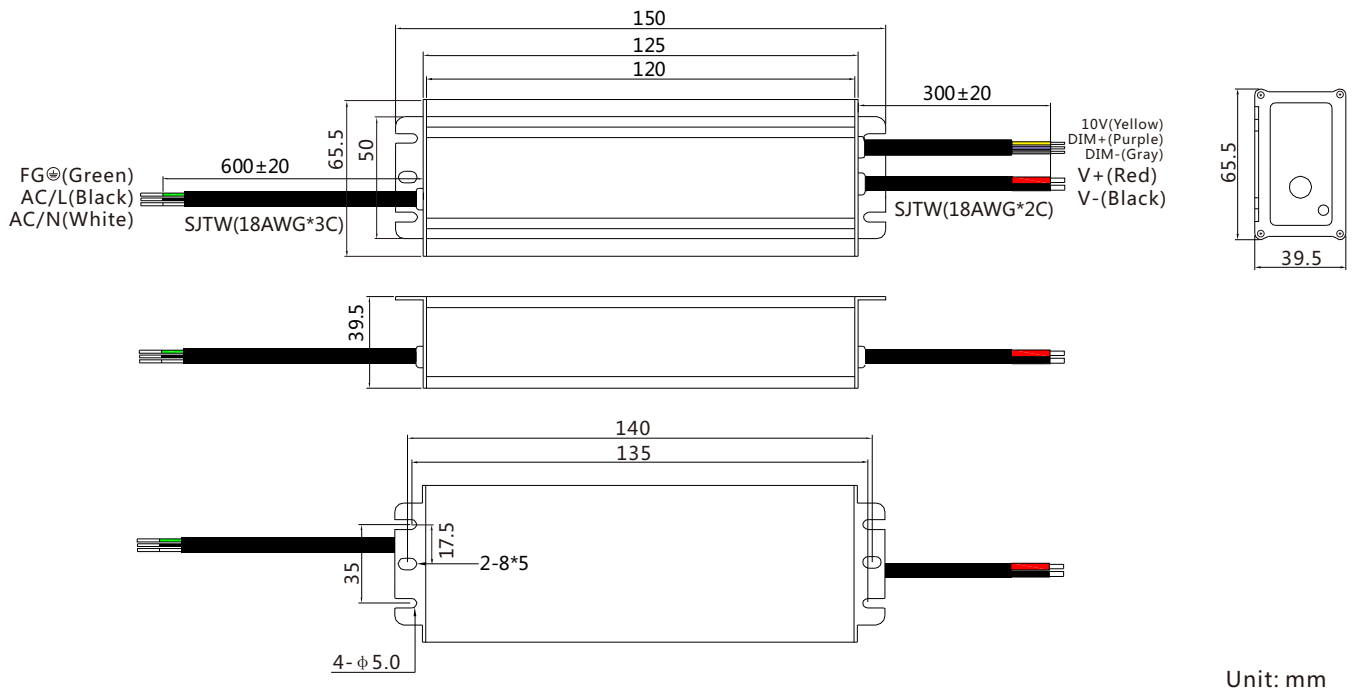
NOTE: Unless otherwise specified, all the above parameters are measured at ambient temperature of 25°C and Vin=100Vac to 277Vac.

Mechanical

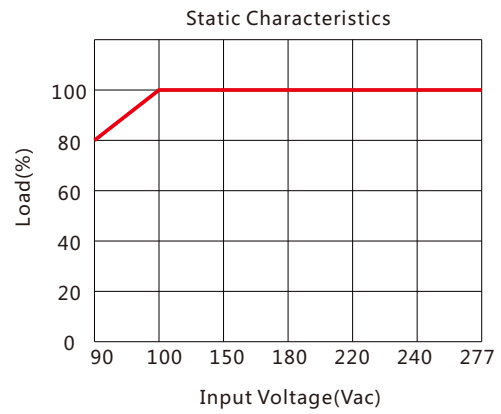
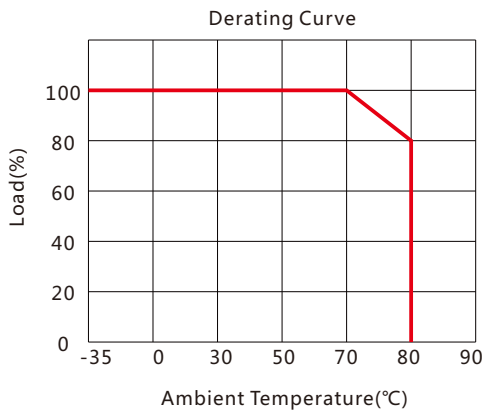
No Dimming



1-10V Dimming



Electrical Curve



Dimming Function

1-10V Dimming

