



2018-V1.0-0723

Specifications

**Constant Current LED Power Supplies
LVEU Series, 50~60W**

2018

PAIRUI ELECTRONICS

No. 545 Museum Road
Yangzhou, Jiangsu
China 225009

Tel: 86 (514) 8279 1592

Fax: 86 (514) 8769 3159

LED Power Supplies for Indoor Use

LVEU SERIES, 50~60WATT, IP20 RATING

Features

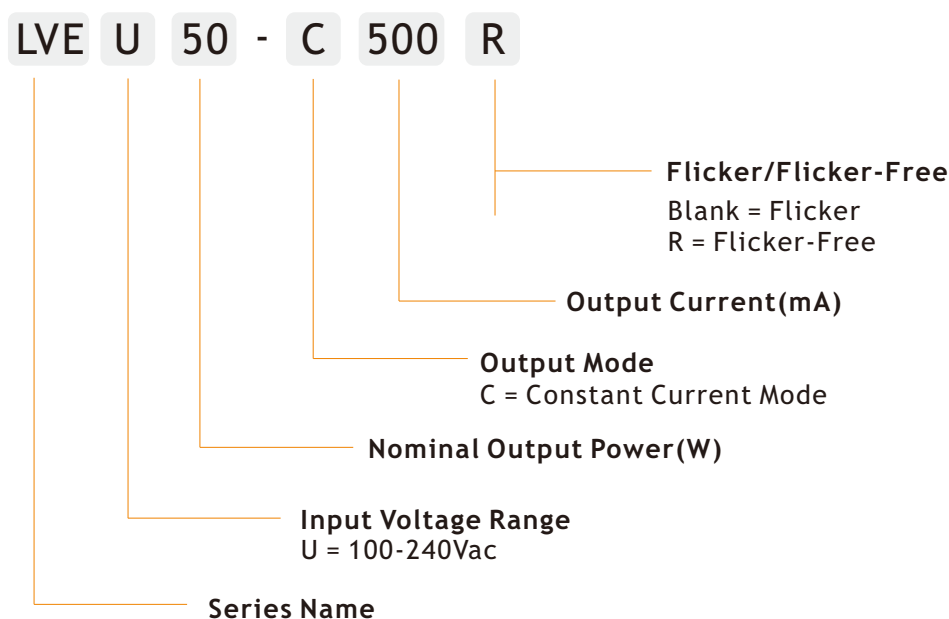
- 3 Year Warranty
- Wide Input Voltage Range: 100~240Vac
- Constant Current Output Mode
- Waterproof Rating IP20
- Built-in Active Power Factor Correction
- Short Circuit, Over Voltage, and Over Current Protections
- Class II Power, no FG



Applications

- ✓ Panel Light
- ✓ Down Light
- ✓ Recessed Light
- ✓ Cabinet Light
- ✓ Other Indoor used Lights

Electrical



Electrical

Part Number	Nominal Input Voltage	Output Current Output Voltage	No Load Output Voltage	Ripple	Certificate
LVEU50-C450	100-240VAC	450mA(70-95V)	103V	75%/10%	CE
LVEU50-C500	100-240VAC	500mA(70-95V)	103V	75%/10%	CE
LVEU50-C650	100-240VAC	450mA(50-76V)	85V	75%/10%	CE
LVEU50-C700	100-240VAC	700mA(50-76V)	85V	75%/10%	CE
LVEU50-C900	100-240VAC	900mA(40-55V)	65V	75%/10%	CE
LVEU50-C950	100-240VAC	950mA(40-55V)	65V	75%/10%	CE
LVEU50-C1000	100-240VAC	1000mA(40-55V)	65V	75%/10%	CE
LVEU50-C1050	100-240VAC	1050mA(40-55V)	65V	75%/10%	CE
LVEU50-C1100	100-240VAC	1100mA(27-42V)	51V	75%/10%	CE
LVEU50-C1150*	100-240VAC	1150mA(27-42V)	51V	75%/10%	CE
LVEU50-C1200*	100-240VAC	1200mA(27-42V)	51V	75%/10%	CE

NOTE:

1. Other output models are may available on request;
2. Add suffix "R" for flicker free version(ripple≤10%);
3. The models which marked with * is only available for flicker version.

Electrical

Part Number	Nominal Input Voltage	Output Current Output Voltage	No Load Output Voltage	Ripple	Certificate
LVEU60-C550	100-240VAC	550mA(70-95V)	103V	75%/10%	CE
LVEU60-C600	100-240VAC	600mA(70-95V)	103V	75%/10%	CE
LVEU60-C750	100-240VAC	750mA(50-76V)	85V	75%/10%	CE
LVEU60-C800	100-240VAC	800mA(50-76V)	85V	75%/10%	CE
LVEU60-C850	100-240VAC	850mA(50-76V)	85V	75%/10%	CE
LVEU60-C1100	100-240VAC	1100mA(40-55V)	65V	75%/10%	CE
LVEU60-C1150*	100-240VAC	1150mA(40-55V)	65V	75%	CE
LVEU60-C1200*	100-240VAC	1200mA(40-55V)	65V	75%	CE
LVEU60-C1250*	100-240VAC	1250mA(27-42V)	51V	75%	CE
LVEU60-C1300*	100-240VAC	1300mA(27-42V)	51V	75%	CE
LVEU60-C1350*	100-240VAC	1350mA(27-42V)	51V	75%	CE
LVEU60-C1400*	100-240VAC	1400mA(27-42V)	51V	75%	CE
LVEU60-C1450*	100-240VAC	1450mA(27-42V)	51V	75%	CE
LVEU60-C1500*	100-240VAC	1500mA(27-42V)	51V	75%	CE

NOTE:

1. Other output models are may available on request;
2. Add suffix "R" for flicker free version(ripple \leq 10%);
3. The models which marked with * is only available for flicker version.

INPUT

PARAMETER	CONDITIONS	MIN	TYP	MAX	UNITS
Input frequency		47		63	Hz
Input current	Full load, Vin=110Vac Full load, Vin=220Vac		0.8 0.4		A A
Inrush current	Cold start, Vin=230Vac		30		A
Power factor(PF)	Full load, Vin=110Vac Full load, Vin=220Vac		0.98 0.95		
Efficiency (For flicker version)	Full load, Vin=110Vac Full load, Vin=220Vac		87 89		% %
Efficiency (For flicker-free version)	Full load, Vin=110Vac Full load, Vin=220Vac		84 86		% %
Surge voltage	L-N		2		KV

OUTPUT

PARAMETER	CONDITIONS	MIN	TYP	MAX	UNITS
Output current accuracy			5		%
Line regulation	Vin from 100Vac to 240Vac		5		%
Load regulation	Vout from min. to max.		5		%
Output current overshoot	Turning on		10		%
Turn-on delay time	Cold start, power on		1		S
Ripple	For flicker version For flicker-free version		75%Io 10%Io		mAp-p
THD	Full load, Vin=220Vac		15		%

Protection

Short circuit	In hiccup mode, it will recover automatically after fault condition is removed
Over voltage	110-150% Vout, it will recover automatically after fault condition is removed
Over current	In hiccup mode, it will recover automatically after fault condition is removed

Environment

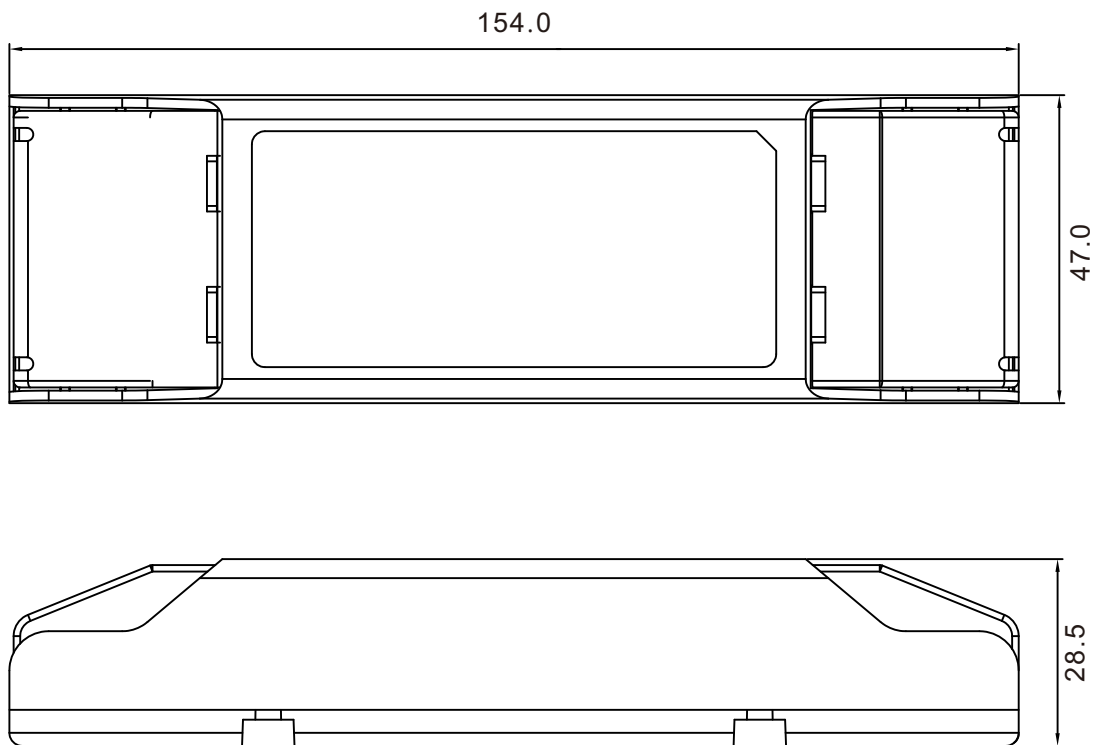
PARAMETER	CONDITIONS	MIN	TYP	MAX	UNITS
Ambient operating temperature	Startup at rated voltage	-25		+50	°C
Operating relative humidity	Non condensing	20		90	%
Storage temperature	Humidity 10 ~ 95% RH	-40		+80	°C
Maximum case temperature	Hot-spot on case			+90	°C
MTBF	Full load, 220Vac input, 25°C ambient temperature	40			Khrs
Waterproof rating	IP20				
Dimension(LxWxH)	154.0 x 47.0 x 28.5mm				
Weight	180g				

Safety/EMC

Safety	Design refer to EN61347-1, EN61347-2-13
EMC	Compliance to EN55015, FCC Part 15 Class B, EN61000-3-2, EN61000-3-3, EN61000-4-2, 3, 4, 5, 6, 8, 11, EN61547

NOTE: Unless otherwise specified, all the above parameters are measured at ambient temperature of 25°C and Vin=100Vac to 240Vac.

Mechanical



Unit: mm

Electrical Curve

