



2018-V1.1-0913-C

# Specifications

---

**Constant Current LED Power Supplies  
LVEU Series, 10~15W**

**2018**

**PAIRUI ELECTRONICS**

No. 545 Museum Road  
Yangzhou, Jiangsu  
China 225009

Tel: 86 (514) 8279 1592

Fax: 86 (514) 8769 3159

# LED Power Supplies for Indoor Use

## LVEU SERIES, 10~15WATT, IP20 RATING

### Features

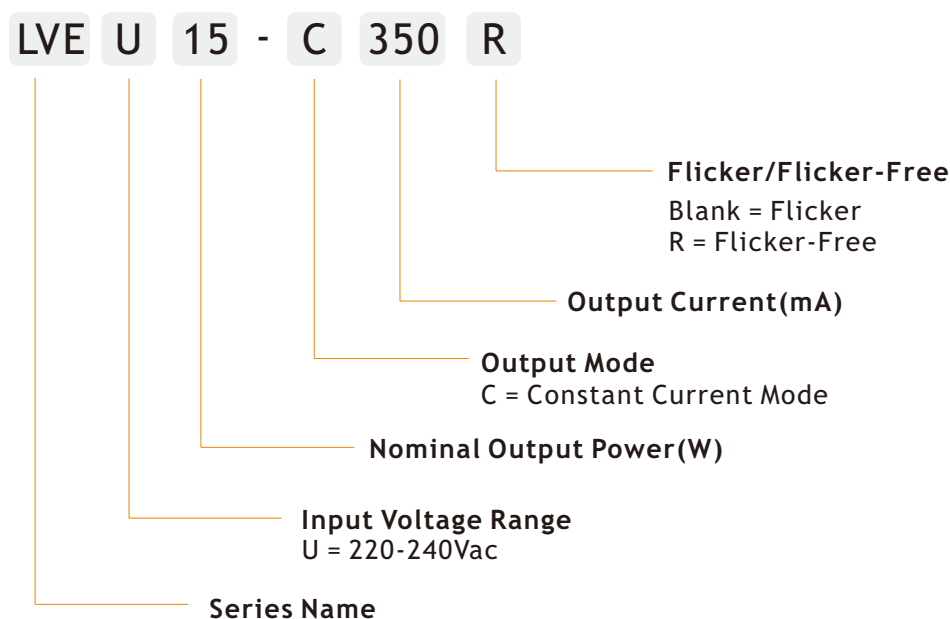
- 3 Year Warranty
- Universal Input Voltage Range: 100~240Vac
- Constant Current Output Mode
- Waterproof Rating IP20
- Built-in Active Power Factor Correction
- Short Circuit, Over Voltage, and Over Current Protections
- Class II Power, no FG



### Applications

- ✓ Panel Light
- ✓ Down Light
- ✓ Recessed Light
- ✓ Cabinet Light
- ✓ Other Indoor used Lights

### Electrical



## Electrical

Part Number	Nominal Input Voltage	Output Current Output Voltage	No Load Output Voltage	Ripple	Certificate
LVEU10-C400*	100-240VAC	400mA(13-20V)	28V	70%	CE
LVEU10-C450*	100-240VAC	450mA(13-20V)	28V	70%	CE
LVEU15-C500*	100-240VAC	500mA(13-20V)	28V	70%	CE
LVEU15-C550*	100-240VAC	550mA(13-20V)	28V	70%	CE
LVEU15-C600*	100-240VAC	600mA(13-20V)	28V	70%	CE
LVEU15-C650*	100-240VAC	650mA(13-20V)	28V	70%	CE
LVEU15-C700*	100-240VAC	700mA(13-20V)	28V	70%	CE
LVEU10-C300	100-240VAC	300mA(18-33V)	39V	70%/10%	CE
LVEU10-C350	100-240VAC	350mA(18-33V)	39V	70%/10%	CE
LVEU15-C400	100-240VAC	400mA(18-33V)	39V	70%/10%	CE
LVEU15-C450	100-240VAC	450mA(18-33V)	39V	70%/10%	CE
LVEU10-C200	100-240VAC	200mA(27-42V)	53V	70%/10%	CE
LVEU10-C250	100-240VAC	250mA(27-42V)	53V	70%/10%	CE
LVEU15-C300	100-240VAC	300mA(27-42V)	53V	70%/10%	CE
LVEU15-C350	100-240VAC	350mA(27-42V)	53V	70%/10%	CE
LVEU15-C200	100-240VAC	200mA(40-55V)	65V	70%/10%	CE
LVEU15-C250	100-240VAC	250mA(40-55V)	65V	70%/10%	CE

NOTE:

1. Other output models are may available on request;
2. Add suffix "R" for flicker free version(ripple $\leq$ 10%);
3. The models which marked with \* is only available for flicker version.

**INPUT**

PARAMETER	CONDITIONS	MIN	TYP	MAX	UNITS
Input frequency		47		63	Hz
Input current	Full load, Vin=110Vac Full load, Vin=220Vac		0.45 0.25		A A
Inrush current	Cold start, Vin=240Vac		20		A
Power factor(PF)	Full load, Vin=110Vac Full load, Vin=220Vac		0.97 0.93		
Efficiency (For flicker version)	Full load, Vin=110Vac Full load, Vin=220Vac		83 85		% %
Efficiency (For flicker-free version)	Full load, Vin=110Vac Full load, Vin=220Vac		82 84		% %
Surge voltage	L-N		2		KV

## OUTPUT

PARAMETER	CONDITIONS	MIN	TYP	MAX	UNITS
Output current accuracy			5		%
Line regulation	Vin from 100Vac to 240Vac		5		%
Load regulation	Vout from min. to max.		5		%
Output current overshoot	Turning on		10		%
Turn-on delay time	Cold start, power on		1		S
Ripple	For flicker version For flicker-free version		70%Io 10%Io		mAp-p
THD	Full load, Vin=220Vac		15		%

## Protection

Short circuit	In hiccup mode, it will recover automatically after fault condition is removed
Over voltage	110-150% Vout, it will recover automatically after fault condition is removed
Over current	In hiccup mode, it will recover automatically after fault condition is removed

## Environment

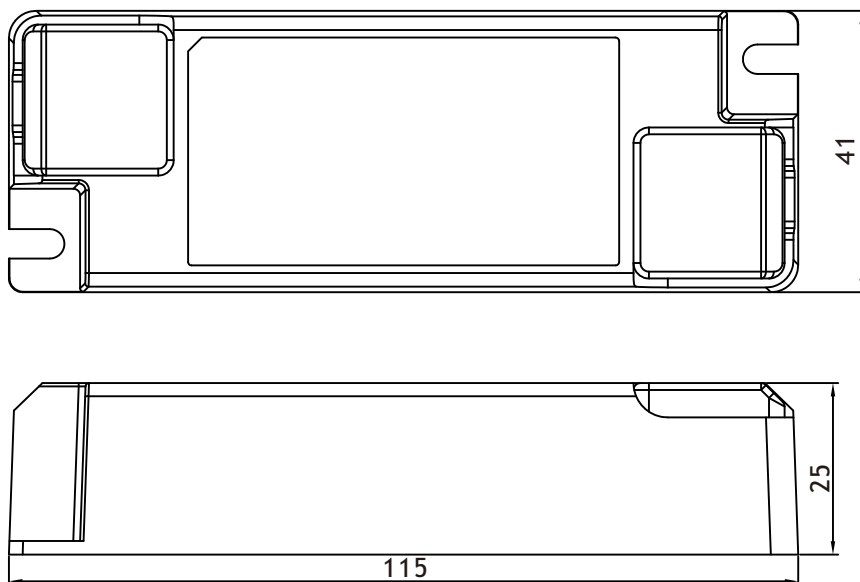
PARAMETER	CONDITIONS	MIN	TYP	MAX	UNITS
Ambient operating temperature	Startup at rated voltage	-35		+45	°C
Operating relative humidity	Non condensing	20		90	%
Storage temperature	Humidity 10 ~ 95% RH	-40		+80	°C
Maximum case temperature	Hot-spot on case			+90	°C
MTBF	Full load, 220Vac input, 25°C ambient temperature	150			Khrs
Waterproof rating	IP20				
Dimension(LxWxH)	115.0 x 41.0 x 25.0mm				
Weight	150g				

## Safety/EMC

Safety	Design refer to EN61347-1, EN61347-2-13
EMC	Compliance to EN55015, FCC Part 15 Class B, EN61000-3-2, EN61000-3-3, EN61000-4-2, 3, 4, 5, 6, 8, 11, EN61547

NOTE: Unless otherwise specified, all the above parameters are measured at ambient temperature of 25°C and Vin=100Vac to 240Vac.

### Mechanical



Unit: mm

### Electrical Curve

