



2017-V1.0-0715

# Specifications

---

**Constant Current LED Power Supplies**

**LNS-25C Series, 25W**

**PAIRUI ELECTRONICS**

No. 545 Museum Road  
Yangzhou, Jiangsu  
China 225009

Tel: 86 (514) 8279 1592

Fax: 86 (514) 8769 3159

**2017**

# LED Power Supplies for Indoor Use

## LNS-25C SERIES, 25WATT, IP30 RATING

### Features

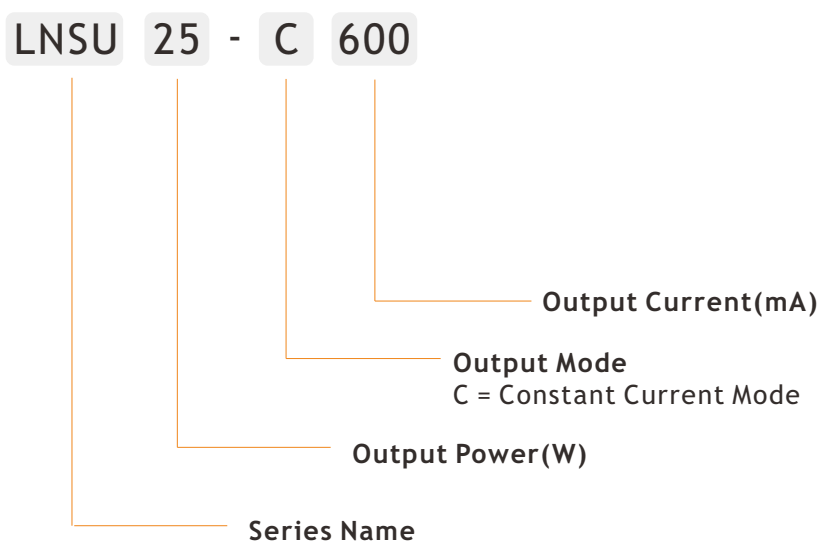
- 5 Year Warranty
- Input Voltage Range: 108~132Vac
- Constant Current Output Mode
- TRIAC Dimming
- Built-in Active Power Factor Correction
- Class II Power, no FG
- Short Circuit, and Over Temperature Protections



### Applications

- ✓ Panel Light
- ✓ Down Light
- ✓ Recessed Light
- ✓ Cabinet Light
- ✓ Other Indoor used Lights

### Electrical



## Electrical

Part Number	Nominal Input Voltage	Output Current Output Voltage	Ripple	Efficiency	Certificate
LNSU25-C480	120VAC(±10%)	480mA(32-42V)	6%	82%	
LNSU25-C550	120VAC(±10%)	550mA(28-38V)	6%	82%	
LNSU25-C600	120VAC(±10%)	600mA(32-42V)	6%	82%	
LNSU25-C700	120VAC(±10%)	700mA(26-36V)	6%	82%	
LNSU25-C1000	120VAC(±10%)	1000mA(18-25V)	6%	80%	

NOTE: Other output models are may available on request.

INPUT

PARAMETER	CONDITIONS	MIN	TYP	MAX	UNITS
Input frequency		47		63	Hz
Input current (Full load, Vin=120Vac)	LNSU25-C480			0.2	A
	LNSU25-C550			0.2	A
	LNSU25-C600			0.25	A
	LNSU25-C700			0.25	A
	LNSU25-C1000			0.2	A
Inrush current	Cold start, Vin=120Vac			28	A
Leakage current	Vin=120Vac			1.5	mA
Power factor(PF)	Full load, Vin=120Vac	0.9			
THD	Output load≥60%			20	%

**OUTPUT**

PARAMETER	CONDITIONS	MIN	TYP	MAX	UNITS
Output current regulation			±5		%
Output dimming range		10		100	%
Start time	Vin=120Vac at rated load			1000	ms
Ripple			6%Io		mAp-p

**Protection**

Short circuit	Current limit protection
No load voltage	Vo max. ~ 110%Vo max.
Over power	The driver always works within a safe working area power curve
Over temperature	Yes
No load protection	Yes

Environment

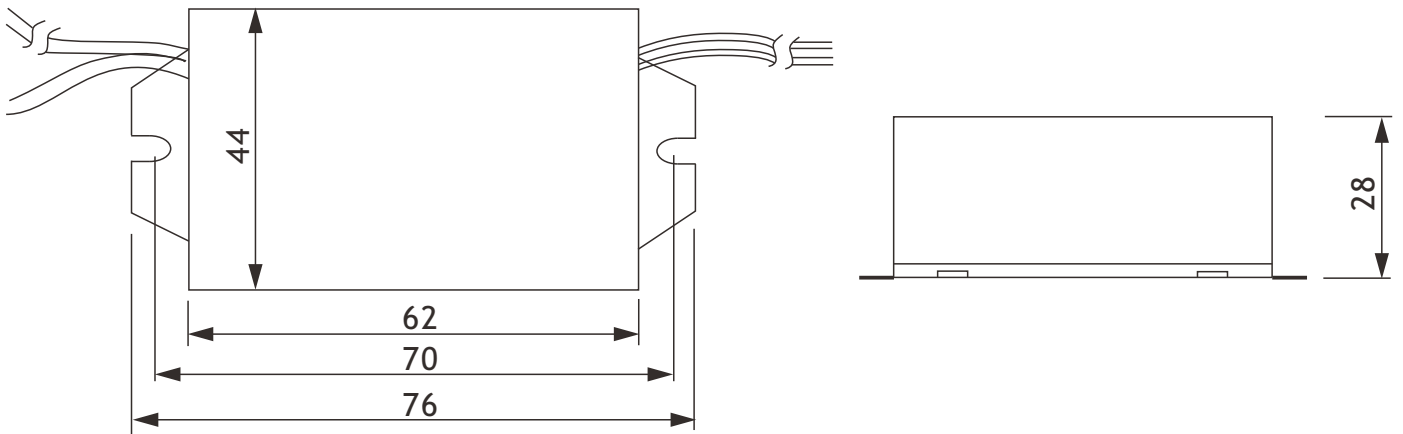
PARAMETER	CONDITIONS	MIN	TYP	MAX	UNITS
Operating temperature	Startup at rated voltage	-30		+50	°C
Operating relative humidity	Non condensing	20		95	%
Storage temperature	Humidity 10 ~ 95% RH	-40		+80	°C
MTBF	Calculated to MIL-HDBK217F at 25 DEG C. rated load	200			Khrs
Life rating	Measured at 120VAC, full load, 80° C	50			Khrs
Maximum case temperature	85°C				
Temperature coefficient	±0.03%/°C(0~50°C)				
Application	For dry and damp location				
Dimming type	Phase-cut TRIAC dimming				
Dimming range	10%~100%				
Dimension(LxWxH)	76.0 x 44.0 x 28.0mm				

Safety/EMC

Safety	Design refer to UL8750 Class 2, UL1310;CSA C22.2 No. 250.13-12
EMC	Compliance to FCC Part 15 Class B, EN 61547/1995+A1/2000

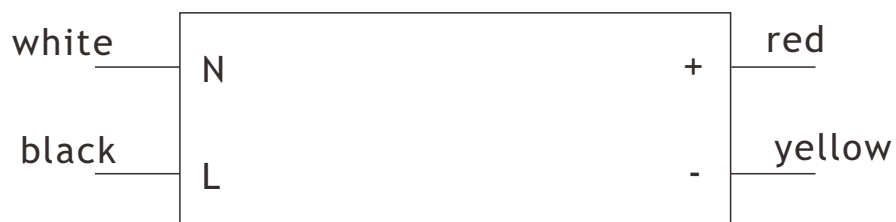
NOTE: Unless otherwise specified, all the above parameters are measured at ambient temperature of 25°C and Vin=120Vac.

## Mechanical

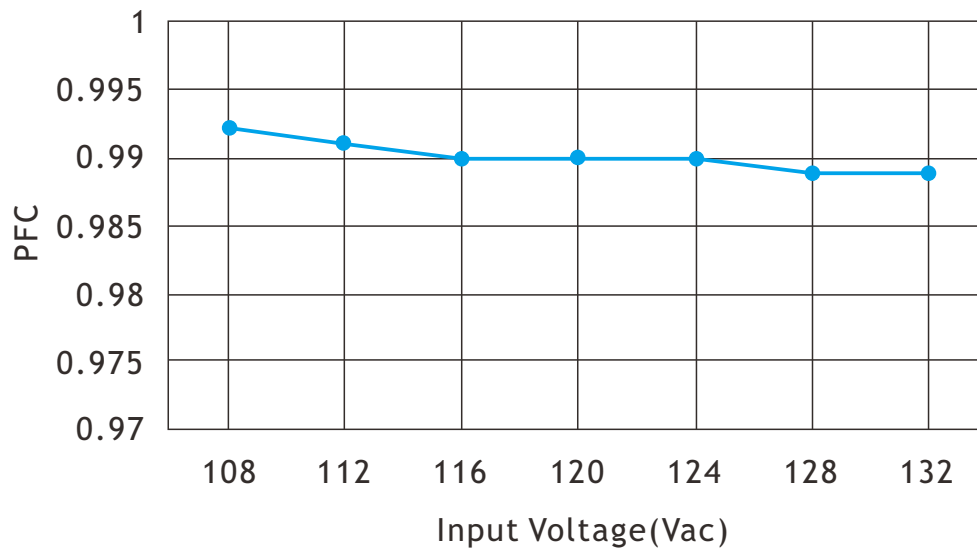


Unit: mm

## Wire Connection

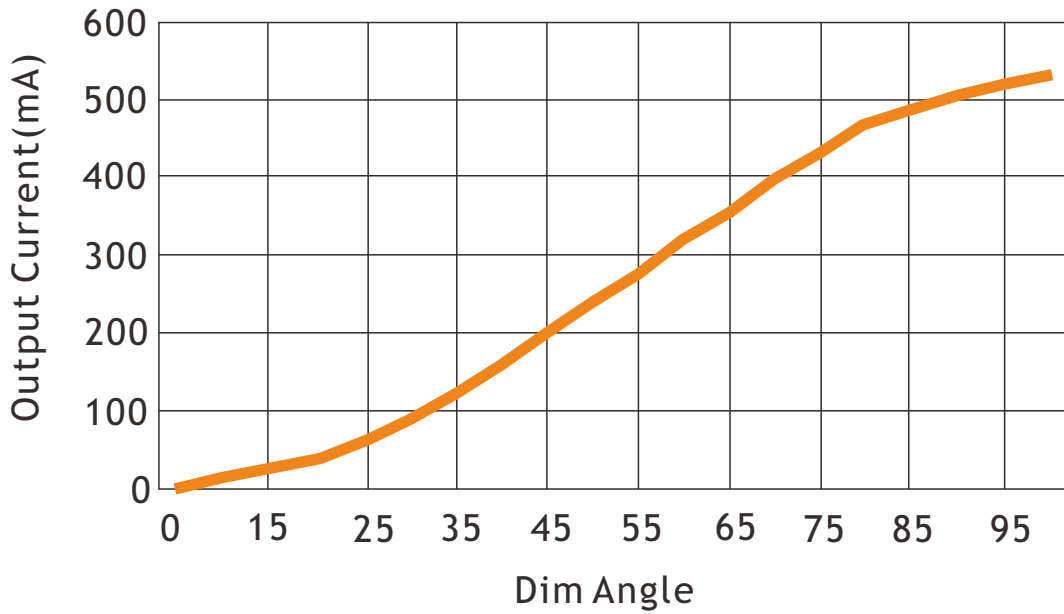


### Electrical Curve





## Dimming



### Recommended Dimmer List:

Brand	Model No.
LUTRON	DVCL-153PL
LUTRON	CTCL-153P
LEVITON	IPL06
LEVITON	S-603P

