



2017-V1.0-0415

# Specifications

---

**Constant Current LED Power Supplies**

**LL Series, 25~45W**

**PAIRUI ELECTRONICS**

No. 545 Museum Road  
Yangzhou, Jiangsu  
China 225009

Tel: 86 (514) 8279 1592

Fax: 86 (514) 8769 3159

**2017**

# LED Power Supplies for Indoor Use

## LL SERIES, 25~45WATT, IP20 RATING

### Features

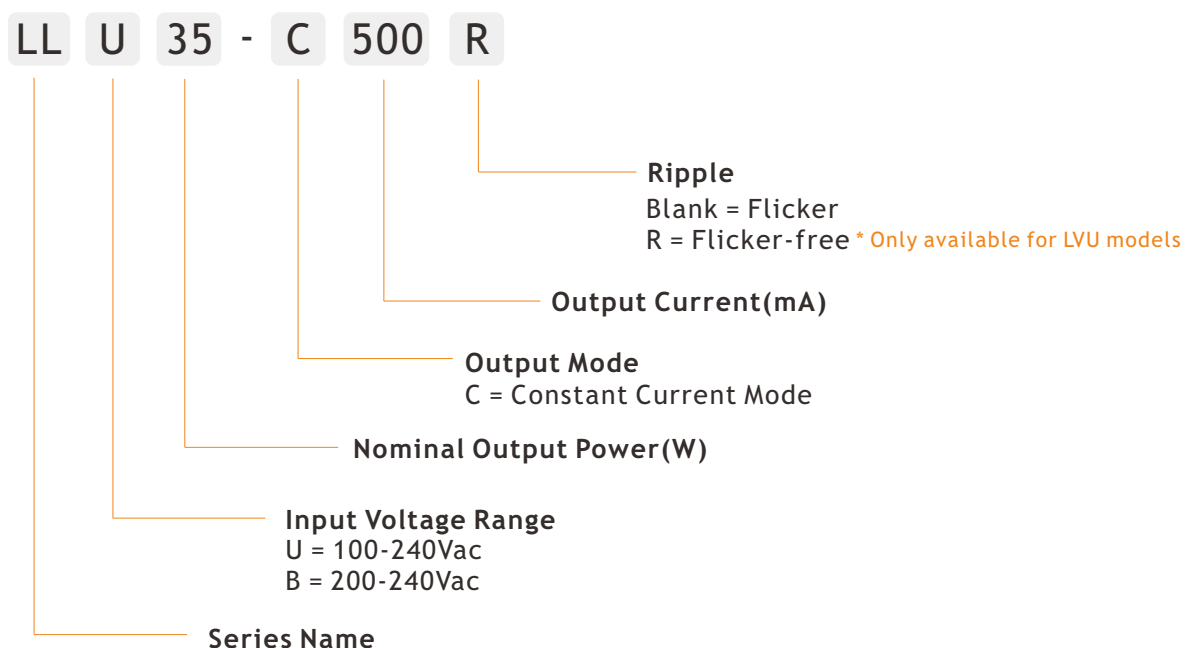
- 3 Year Warranty
- Wide Input Voltage Range: 100~240Vac or High Input Voltage Range: 200-240Vac
- Constant Current Output Mode
- Waterproof Rating IP20
- Built-in Active Power Factor Correction
- Short Circuit, Over Voltage, and Over Current Protections



### Applications

- ✓ Panel Light
- ✓ Down Light
- ✓ Recessed Light
- ✓ Cabinet Light
- ✓ Other Indoor used Lights

### Electrical



## Electrical

Part Number	Nominal Input Voltage	Output Current Output Voltage	No Load Output Voltage	Ripple	Certificate
25~36W					
LLU35-C750 LLB35-C750	100-240VAC 200-240VAC	750mA(27-42V)	48V	50%/5%	CE
LLU35-C800 LLB35-C800	100-240VAC 200-240VAC	800mA(27-42V)	48V	50%/5%	CE
LLU35-C850 LLB35-C850	100-240VAC 200-240VAC	850mA(27-42V)	48V	50%/5%	CE
LLU35-C450 LLB35-C450	100-240VAC 200-240VAC	450mA(40-55V)	60V	50%/5%	CE
LLU35-C500 LLB35-C500	100-240VAC 200-240VAC	500mA(40-55V)	60V	50%/5%	CE
LLU35-C550 LLB35-C550	100-240VAC 200-240VAC	550mA(40-55V)	60V	50%/5%	CE
LLU35-C600 LLB35-C600	100-240VAC 200-240VAC	600mA(40-55V)	60V	50%/5%	CE
36~45W					
LLU40-C900 LLB40-C900	100-240VAC 200-240VAC	900mA(27-42V)	48V	50%/5%	CE
LLU40-C1000 LLB40-C1000	100-240VAC 200-240VAC	1000mA(27-42V)	48V	50%/5%	CE
LLU40-C1050 LLB40-C1050	100-240VAC 200-240VAC	1050mA(27-42V)	48V	50%/5%	CE
LLU40-C650 LLB40-C650	100-240VAC 200-240VAC	650mA(40-55V)	60V	50%/5%	CE
LLU40-C700 LLB40-C700	100-240VAC 200-240VAC	700mA(40-55V)	60V	50%/5%	CE
LLU40-C750 LLB40-C750	100-240VAC 200-240VAC	750mA(40-55V)	60V	50%/5%	CE
LLU40-C800 LLB40-C800	100-240VAC 200-240VAC	800mA(40-55V)	60V	50%/5%	CE

**NOTE:**

1. Other output models are may available on request;
2. Add suffix "R" for flicker-free models, only available for LVU models.

INPUT

PARAMETER	CONDITIONS	MIN	TYP	MAX	UNITS
Input voltage	LLU35/40-Cxxx LLB35/40-Cxxx	100 200		240 240	Vac Vac
Input frequency		47		63	Hz
Input current	Full load, Vin=110Vac Full load, Vin=220Vac		0.5 0.25		A A
Inrush current	Cold start, Vin=230Vac			25	A
Power factor(PF)	Full load, Vin=110Vac Full load, Vin=220Vac		0.98 0.95		
Efficiency	Full load, Vin=110Vac Full load, Vin=220Vac		87 89		% %
Surge voltage	L-N		2		KV

## OUTPUT

PARAMETER	CONDITIONS	MIN	TYP	MAX	UNITS
Output current accuracy			5		%
Line regulation	Vin from 100Vac(200Vac) to 240Vac		5		%
Load regulation	Vout from min. to max.		5		%
Output current overshoot	Turning on			10	%
Turn-on delay time	Cold start, power on		2		S
Ripple	Default models Suffix "R" models		50%Io 5%Io		mAp-p mAp-p
THD	Full load, Vin=220Vac			15	%

## Protection

Short circuit	In hiccup mode, it will recover automatically after fault condition is removed
Over voltage	110-150% Vout, it will recover automatically after fault condition is removed
Over current	In hiccup mode, it will recover automatically after fault condition is removed

Environment

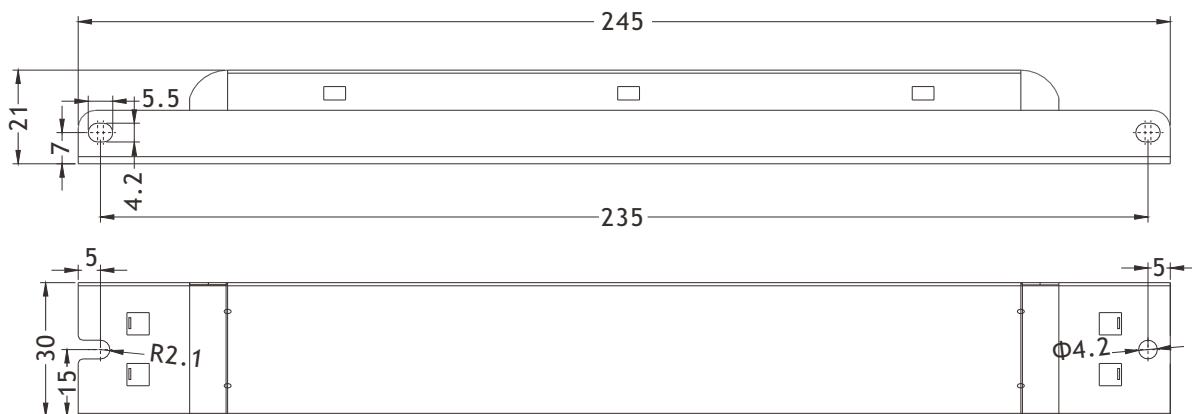
PARAMETER	CONDITIONS	MIN	TYP	MAX	UNITS
Ambient operating temperature	Startup at rated voltage	-25		+50	°C
Operating relative humidity	Non condensing	20		90	%
Storage temperature	Humidity 10 ~ 95% RH	-40		+80	°C
Maximum case temperature	Hot-spot on case			+75	°C
MTBF	Full load, 220Vac input, 25°C ambient temperature	400			Khrs
Waterproof rating	IP20				
Dimension(LxWxH)	245.0 x 30.0 x 21.0mm				
Weight	140g				

Safety/EMC

Safety	Design refer to EN61347-1, EN61347-2-13
EMC	Compliance to EN55015, FCC Part 15 Class B, EN61000-3-2, EN61000-3-3, EN61000-4-2, 3, 4, 5, 6, 8, 11, EN61547

NOTE: Unless otherwise specified, all the above parameters are measured at ambient temperature of 25°C and Vin=100Vac(200Vac) to 240Vac.

## Mechanical



Unit: mm

## Electrical Curve

